

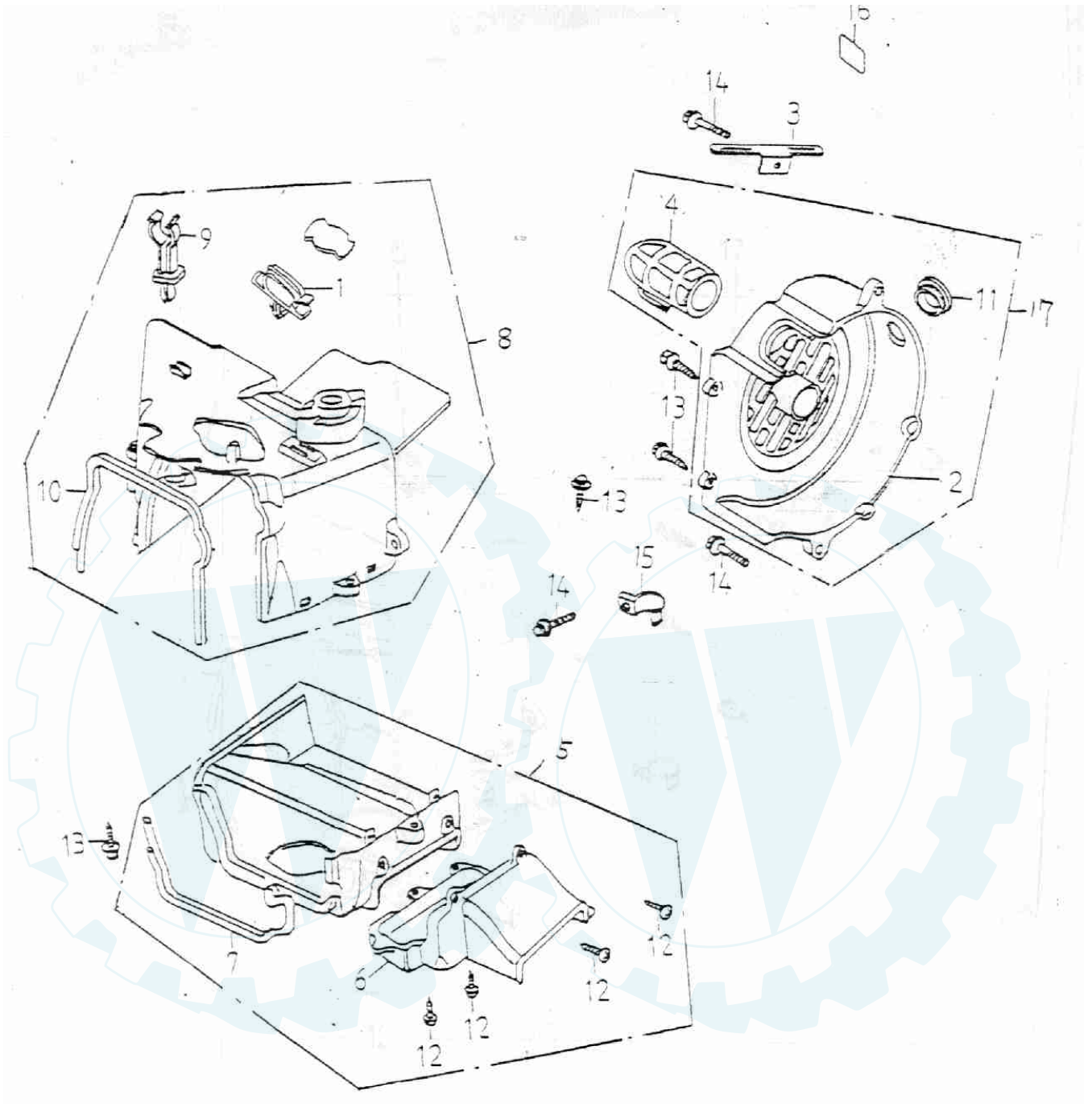


ERING

TB 125
Art. Nr.: 99336

Luftfiltergehäuse

ERING
Blatt 1 von 2



ERING

TB 125

Art. Nr.: 99336

Luftfiltergehäuse



Blatt 2 von 2

1	11384-120-000	1 BREATHER TUBE CLAMPER
2	19610-120-000	1 GENERATOR COVER
3	19613-120-000	1 STARTER CABLE CLAMPER
4	19615-120-000	1 CARBURETOR COOLING DUCT
5	19626-120-000	1 SHROUD A ASS'Y
6	19622-120-000	1 DUCT SHROUD
7	19625-120-000	1 SHROUD A SEAL
8	19624-120-000	1 SHROUD B ASS'Y
9	19632-120-000	1 HIGH TENSION COIL CLIP
10	19635-120-000	1 SHROUD B SEAL
11	17529-120-000	1 RUBBER BUNG
12	93904-05012	5 HEX TRUSS HEAD TAPPING SCREW
13	93904-05016	4 HEX TRUSS HEAD TAPPING SCREW
14	96000-06025-08	3 HEX WASHER FACE BOLT
15	11351-120-000	1 CLAMPER CARB,DRAIN TUBE
16	87541-120-000	1 OIL CAPACITY LABEL
17	19611-120-000	1 GENERATOR COVER ASS'Y

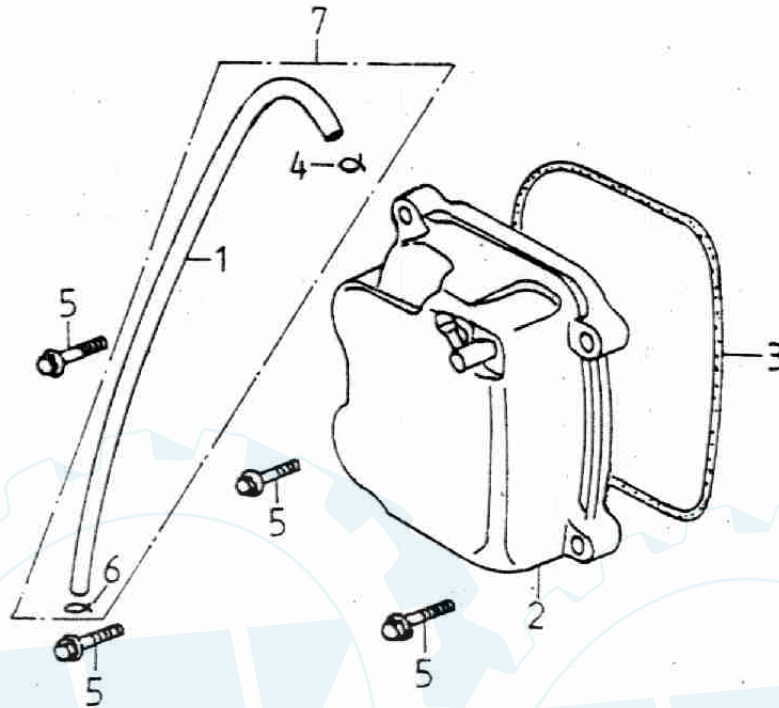
ERING

TB 125
Art. Nr.: 99336

Zylinderkopf



Blatt 1 von 1



1	11211-120-000	1 BREATHER TUBE
2	12310-120-000	1 CYLINDER HEAD COVER ASS'Y
3	12391-120-000	1 HEAD COVER GASKET
4	94510-09000	1 CLIP
5	96000-06025-08	4 HEX WASHER FACE BOLT
6	94510-12000	1 CLIP
7	11210-120-000	1 BREATHER TUBE ASS'Y

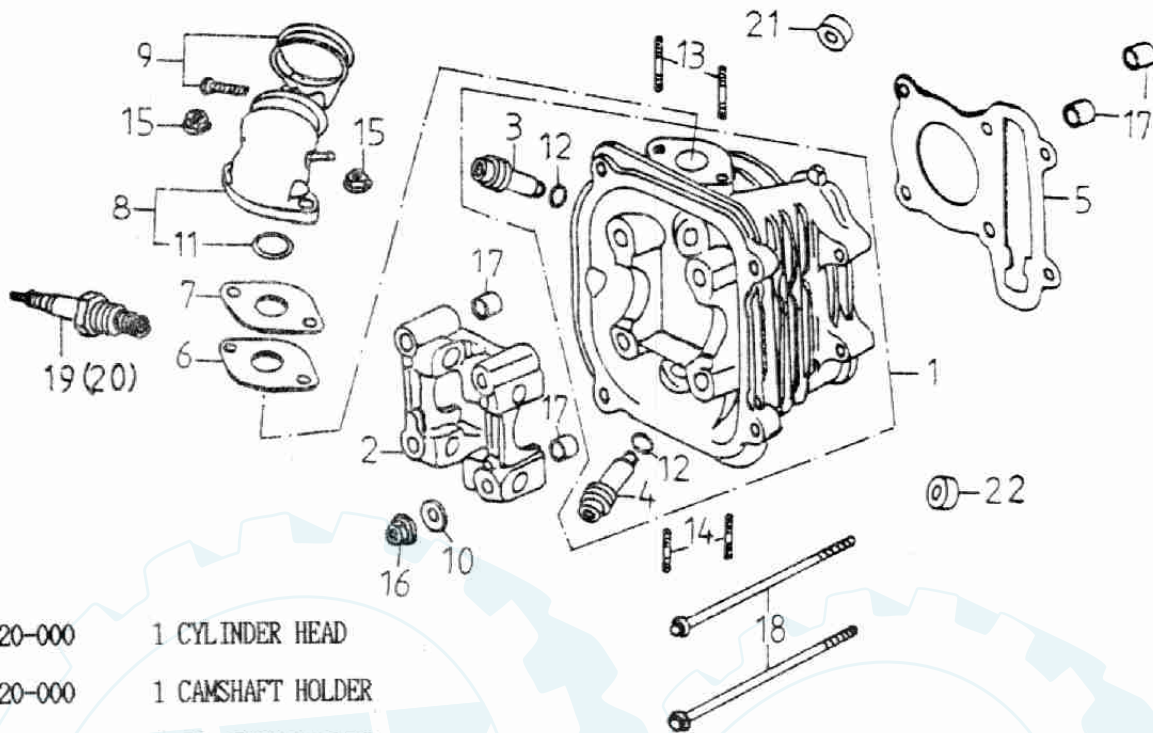
ERING

TB 125
Art. Nr.: 99336

Zylinder



Blatt 1 von 1



1	12201-120-000	1 CYLINDER HEAD
2	12211-120-000	1 CAMSHAFT HOLDER
3	12204-120-000	1 IN. GUIDE VALVE
4	12206-120-000	1 EX. GUIDE VALVE
5	12251-120-000	1 CYLINDER HEAD GASKET
6	16229-120-000	1 CARBURETOR INSULATOR GASKET
7	16213-120-000	1 CARBURETOR INSULATOR
8	17100-120-000	1 INAKE MAINFOLD
9	14111-120-000	1 BAND INSULATOR
10	94101-0818023	4 COPPER PLAIN WASHER
11	91327-120-000	1 OIL-RING
12	91309-120-00A	1 OIL-RING
13	91001-06028	2 STUD BOLT
14	91001-06062	2 STUD BOLT
15	94050-06000	2 HEX FLANGE NUT WITH SERRATION
16	94050-08000	4 HEX FLANGE NUT WITH SERRATION
17	94301-10160	4 DOWEL PIN
18	96000-06100-08	2 HEX WASHER FACE BOLT
19	98076-120-000	1 SPARK PLUG
20	98076-120-00A	1 ANTI-RESISTANCE SPARK PLUG
21	12225-120-000	1 INTAKE VALVE SET
22	12226-120-000	1 EXHAUST VALVE SET

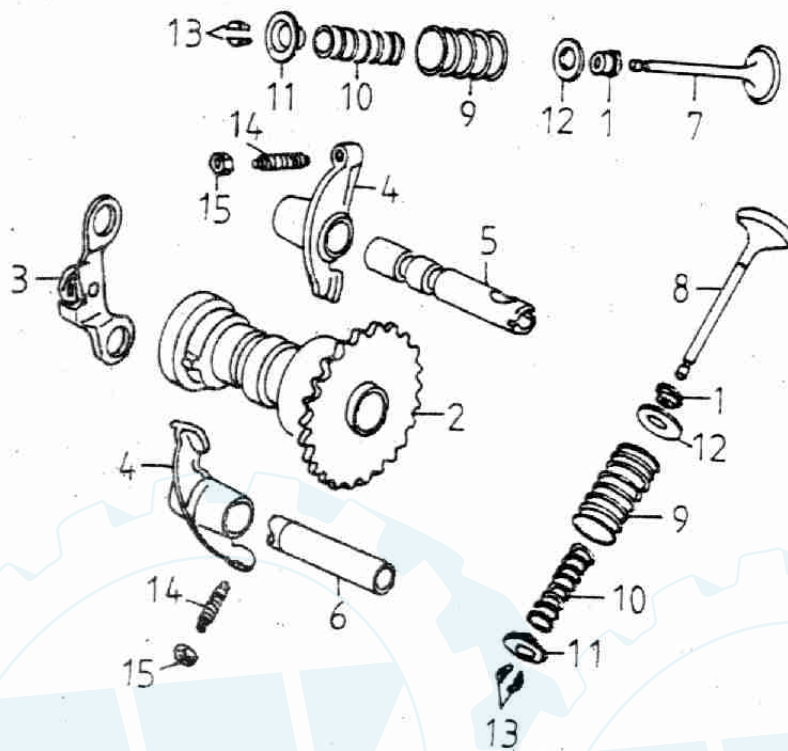
ERING

TB 125
Art. Nr.: 99336

Nockenwelle und Ventile



Blatt 1 von 1



1	12209-120-000	2 VALVE STEM SEAL
2	14400-120-000	1 CAMSHAFT COMP
3	14456-120-000	1 PLATE COMP STOPPER
4	14431-120-000	2 ARM VALVE ROCKER
5	14452-120-000	1 SHAFT COMP IN. ROCKER ARM
6	14453-120-000	1 SHAFT EX. ROCKER ARM
7	14711-120-000	1 IN. VALVE
8	14721-120-000	1 EX. VALVE
9	14751-120-000	2 VALVE OUTER SPRING
10	14761-120-000	2 VALVE INNER SPRING
11	14771-120-000	2 VALVE SPRING RETAINER
12	14775-120-000	2 SEAT VALVE SPRING OUTER
13	14781-120-000	4 COTTER VALVE
14	90012-120-000	2 SCREW TAPPET ADJUSTING
15	90206-120-000	2 NUT TAPPET ADJUSTING

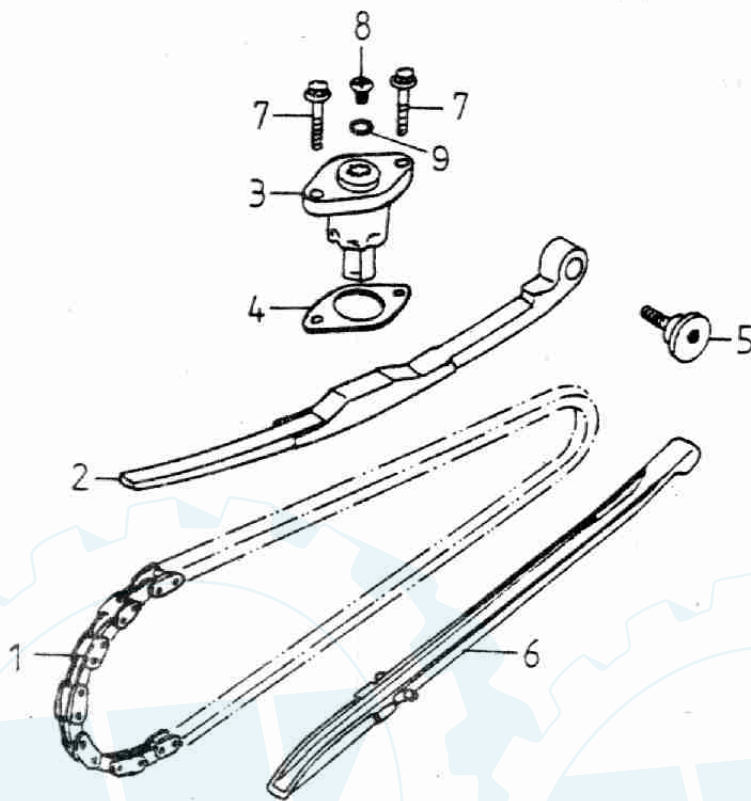
ERING

TB 125
Art. Nr.: 99336

Steuerkette



Blatt 1 von 1



1	14401-120-000	1 CHAIN CAM
2	14550-120-000	1 TENSIONER CAM CHAIN
3	14521-120-000	1 LIFTER ASS'Y TENSIONER
4	14523-120-000	1 GASKET TENSIONER LIFTER
5	14535-120-000	1 PIVOT CAM CHAIN TENSIONER
6	14500-120-000	1 GUIDE COMP CAM CHAIN
7	96000-06022-08	2 HEX WASHER FACE BOLT
8	93000-06006	1 ROUND PHILLIPS BOLT
9	91309-120-000	1 OIL-RING

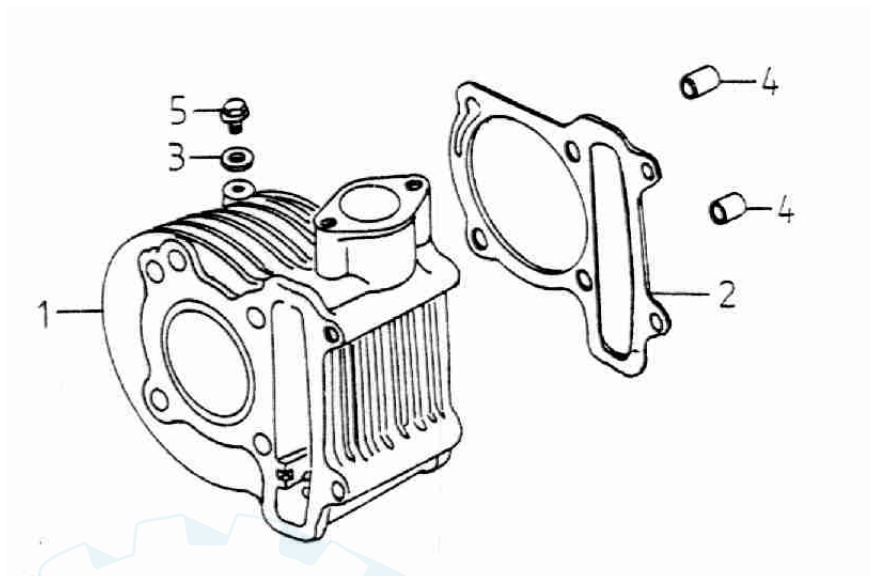
ERING

TB 125
Art. Nr.: 99336

Zylinder



Blatt 1 von 1



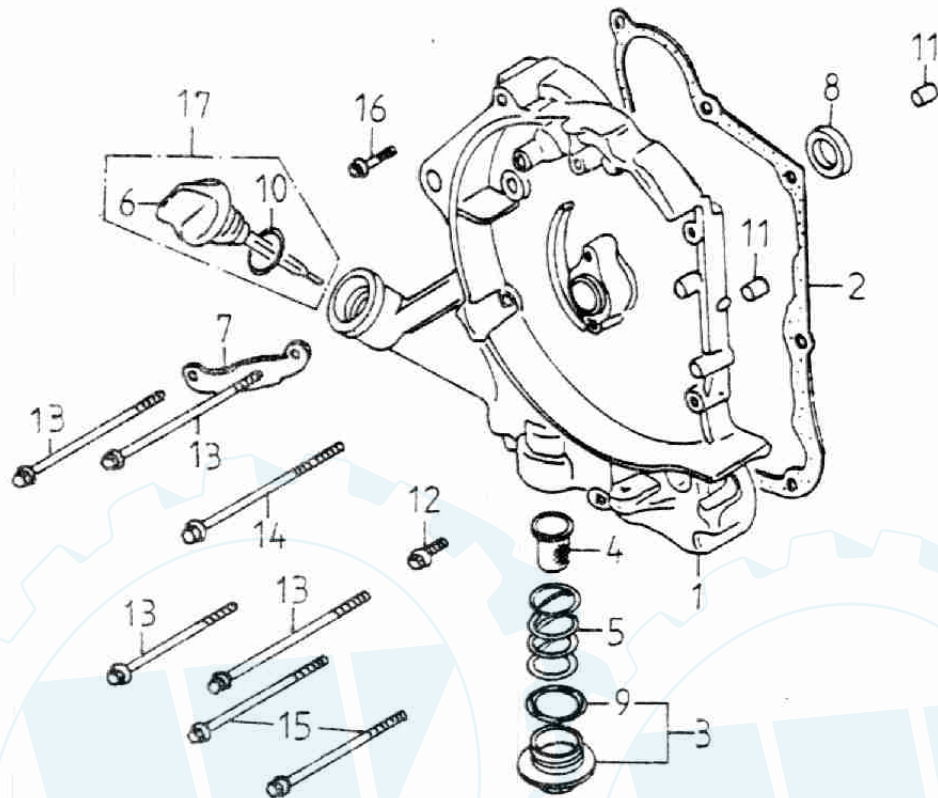
1	12101-120-000	1 CYLINDER
2	12191-120-000	1 CYLINDER GASKET
3	94101-0612010	1 COPPER PLAIN WASHER
4	94301-10160	2 DOWEL PIN
5	96000-06012-10	1 HEX WASHER FACE BOLT

ERING

TB 125
Art. Nr.: 99336

Kurbelgehäuse

ERING
Blatt 1 von 1



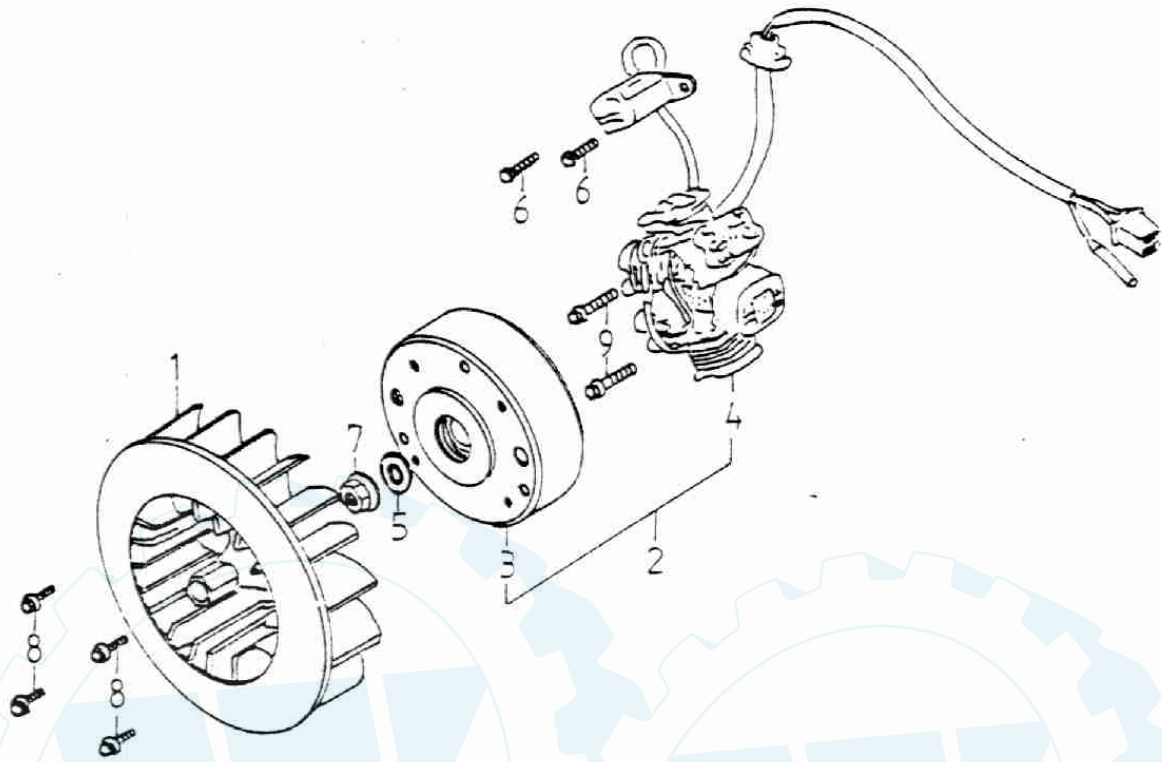
1	11330-121-000	1 RIGHT CRANKCASE COVER
2	11393-120-000	1 GASKET R. CRANKCASE COVER
3	12361-120-000	1 CAP TAPPET ADJUSTING HOLE ASS'Y
4	15421-120-000	1 SCREEN OIL FILTER
5	15426-120-000	1 SPRING OIL FILTER SPRING
6	15650-120-000	1 GAUGE OIL LEVEL
7	32961-120-000	1 CLAMPER A.C.GENERATOR CORD
8	96500-19305	1 OIL SEAL
9	91330-120-000	1 OIL RING
10	91318-108-000	1 OIL RING
11	94301-08140	2 DOWEL PIN
12	96000-06032-08	1 HEX WASHER FACE BOLT
13	96000-06095-08	4 HEX WASHER FACE BOLT
14	96000-06100-08	1 HEX WASHER FACE BOLT
15	96000-06110-08	2 HEX WASHER FACE BOLT
16	96000-06040-08	1 HEX WASHER FACE BOLT
17	1565A-120-000	1 GAUGE ASS'Y OIL LEVEL

ERING

TB 125
Art. Nr.: 99336

Zündanlage

ERING
Blatt 1 von 1



1	19510-120-000	1	FAN
2	31100-120-000	1	GENERATOR ASS'Y
3	31110-120-000	1	GENERATOR FACE FLYWHEEL
4	31120-120-000	1	STATOR COMP
5	94101-1225023	1	PLAIN WASHER
6	92000-05012	2	HEX BOLT
7	94050-12000	1	HEX FLANGE NUT WITH SERRATION
8	96000-06018-08	4	HEX WASHER FACE BOLT
9	96000-06020-08	2	HEX WASHER FACE BOLT

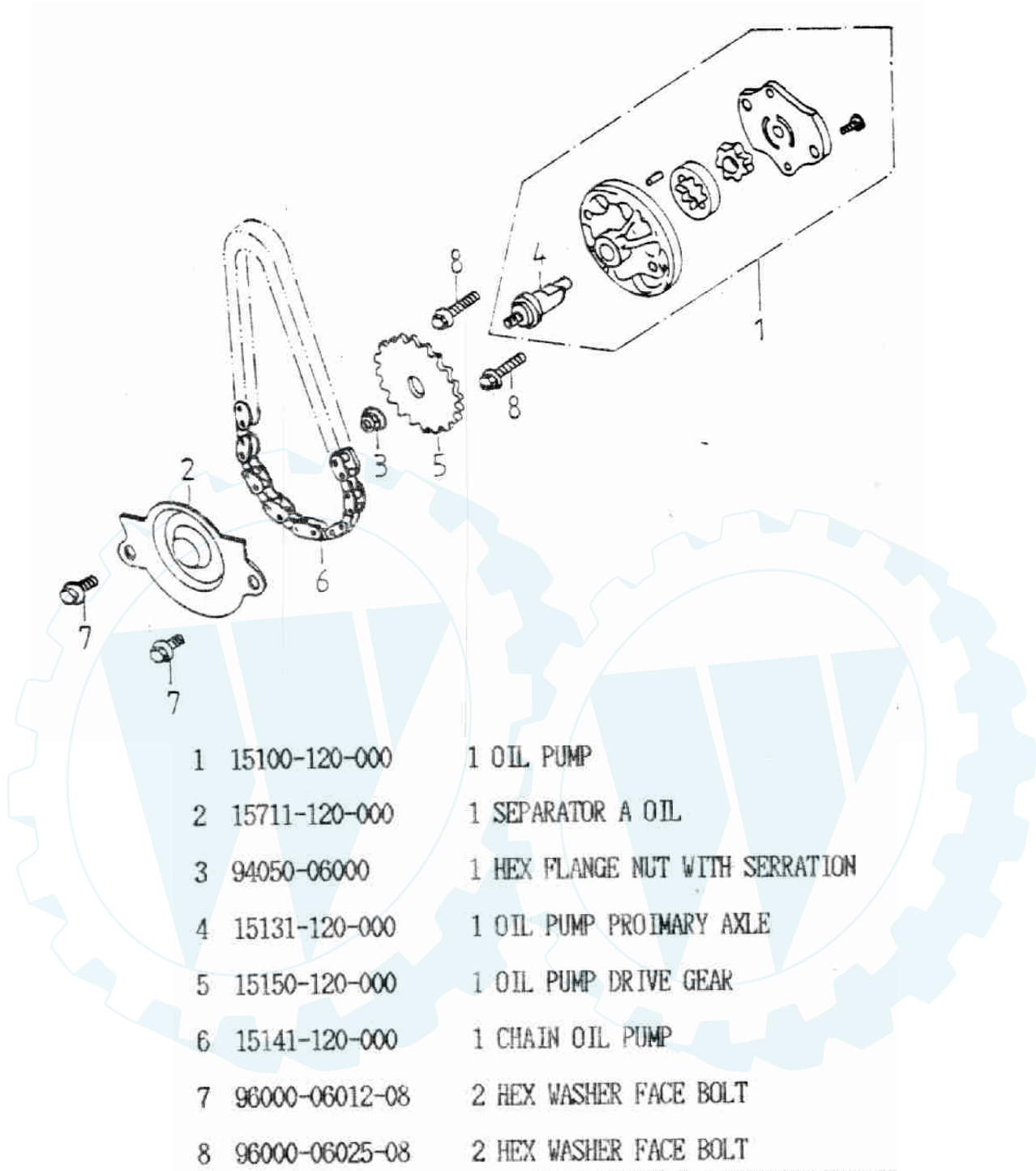
ERING

TB 125
Art. Nr.: 99336

Ölpumpe



Blatt 1 von 1



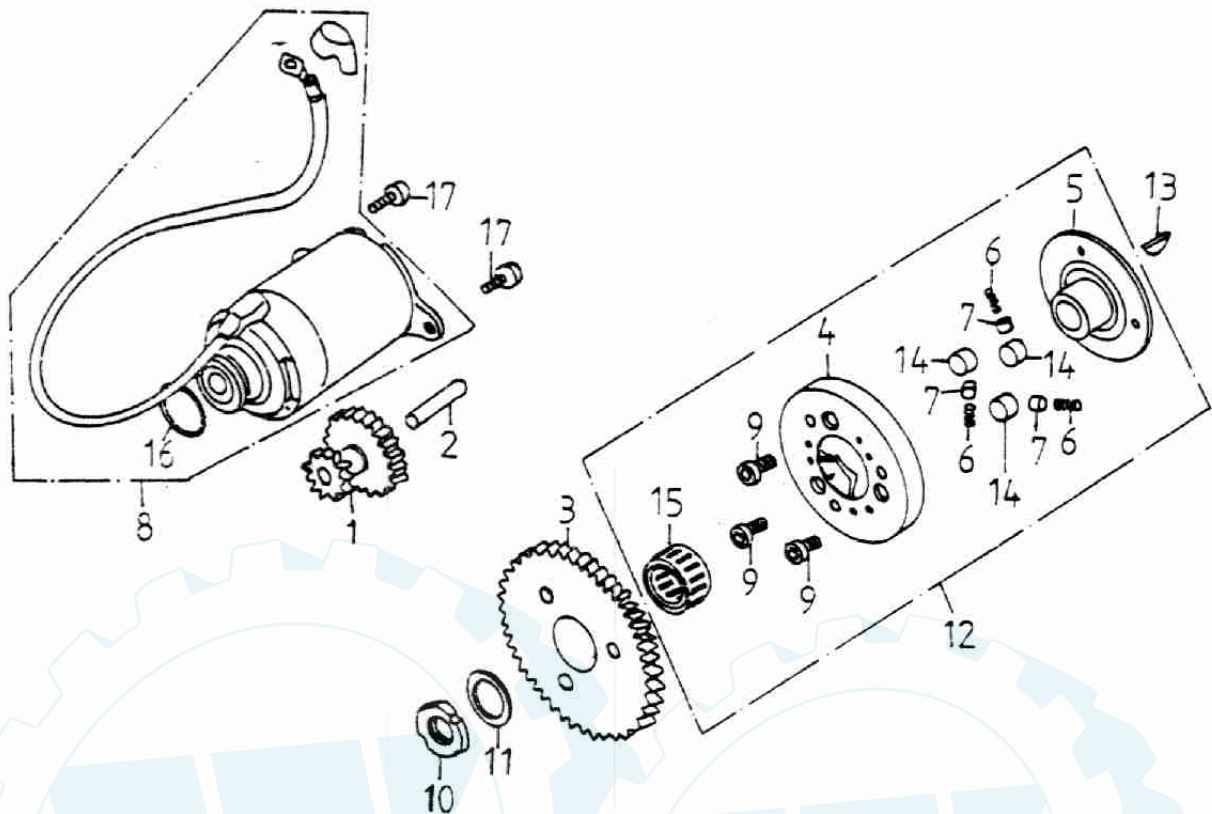
ERING

TB 125
Art. Nr.: 99336

Anlasser



Blatt 1 von 1



1	28422-120-000	1 GEAR STARTER REDUCTION
2	96300-100460	1 SHAFT STARTER REDUCTION GEAR
3	28220-120-000	1 GEAR COMP STARTING CLUTCH
4	28120-120-000	1 CLUTCH COVER COMP
5	28125-120-000	1 FLANGE STARTING CLUTCH
6	28413-120-000	3 CLUTCH SPRING
7	28412-120-000	3 CLUTCH GUIDER
8	31200-120-000	1 STARTING MOTOR ASS'Y
9	91000-06012	3 HEX SOCKET BOLT
10	94071-22000	1 NUT LOCK
11	94101-2231025	1 PLAIN WASHER
12	28410-120-000	1 STARTER CLUTCH ASS'Y
13	90471-101-000	1 SEMICYCLE KEY
14	28411-120-000	3 CLUTCH ROLLER
15	96200-283217	1 NEEDLE BEARING
16	91324-120-000	1 OIL RIGE
17	96000-06016-08	2 HEX WASHER FACE BOLT

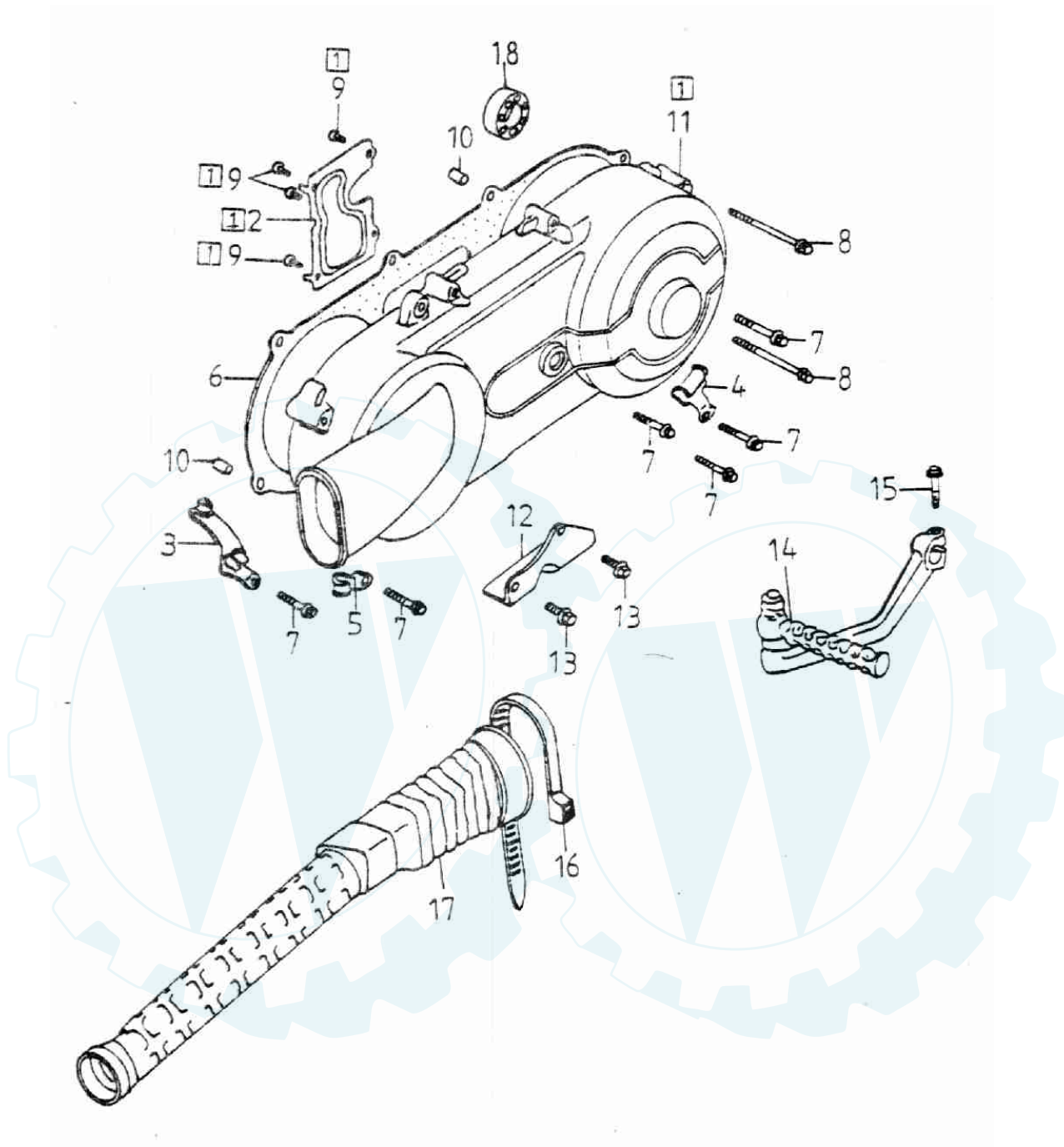
ERING

TB 125
Art. Nr.: 99336

Kurbelgehäusedeckel links



Blatt 1 von 2



ERING

TB 125

Art. Nr.: 99336

Kurbelgehäusedeckel links



Blatt 2 von 2

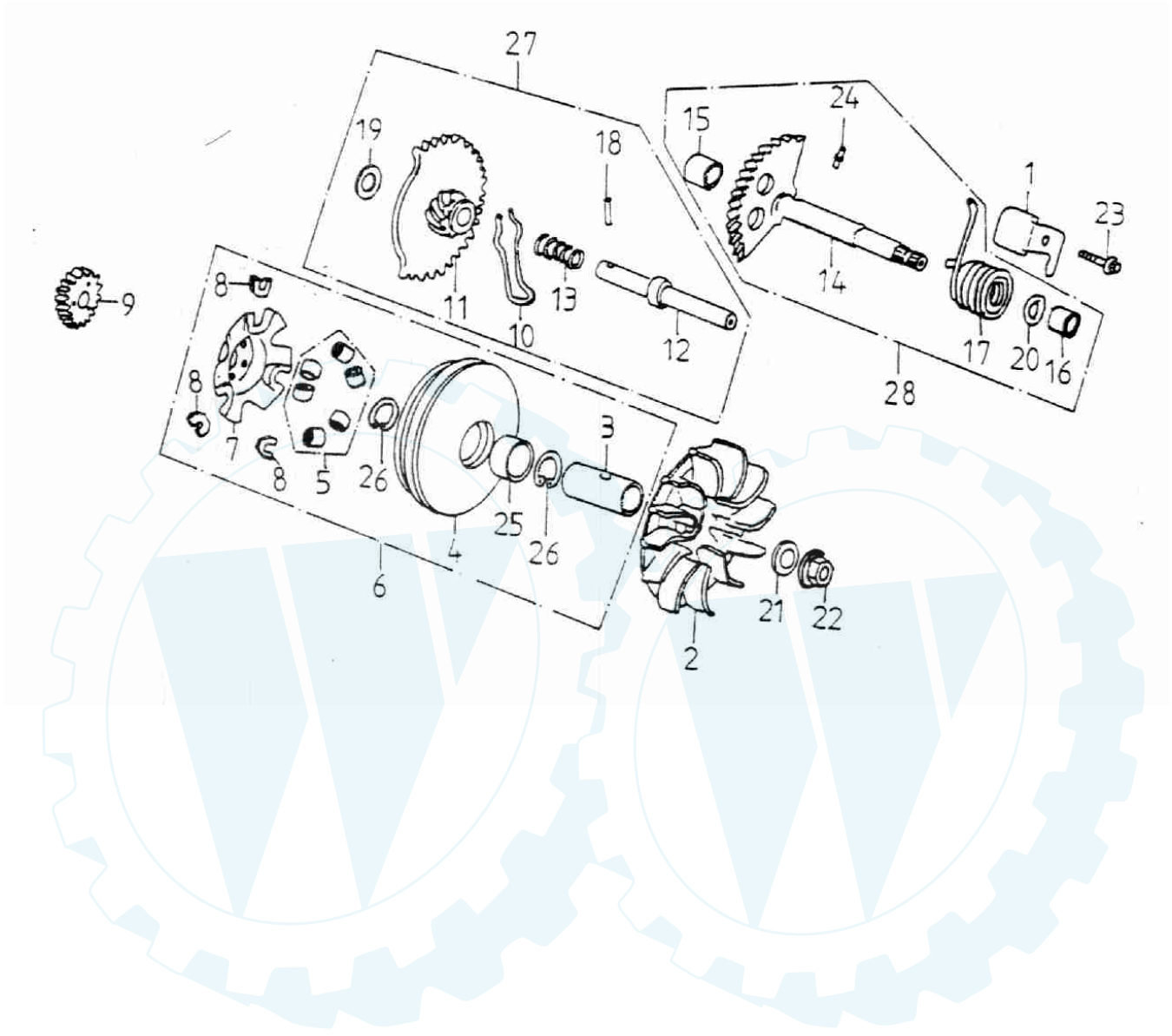
1	11340-121-000	1 COVER COMP L
2	11342-120-000	1 PLATE L COVER
3	11381-120-000	1 CLAMPER THROTTLE CABLE
4	11352-120-000	1 CLAMPER BRAKE CABLE
5	11351-120-00A	1 CLAMP
6	11359-121-000	1 GASKET L COVER
7	96000-06040-08	6 HEX WASHER FACE BOLT
8	96000-06065-08	2 HEX WASHER FACE BOLT
9	93905-04008	4 PAN PHILLIPS SCREW
10	94301-08140	2 DOWEL PIN
11	11341-121-000	1 COVER L
12	50504-120-000	1 STAY MAIN STAND STOPPER
13	96000-06012	2 HEX WASHER FACE BOLT
14	28300-120-000	1 ARM ASS'Y KICK STARTER
15	96000-06022	1 HEX WASHER FACE BOLT
16	90669-101-00B	1 RUBBER STRAP
17	11345-120-000	1 DUCT L. CRANKCASE COVER
18	96100-6200Z	1 RADIAL BALL BEARING

ERING

TB 125
Art. Nr.: 99336

Variomatic und Kickstarter

ERING
Blatt 1 von 2



ERING

TB 125

Art. Nr.: 99336

Variomatic und Kickstarter



Blatt 2 von 2

1	11207-120-000	1 PLATE KICK RETURN STOPPER
2	22102-120-000	1 FACE DRIVE
3	96401-152451	1 BOSS DRIVE FACE
4	22110-120-000	1 FACE COMP MOVABLE DRIVE
5	22121-120-000	6 ROLLER COMP WEIGHT
6	22103-120-000	1 FACE ASS'Y MOVABLE DRIVE
7	22131-120-000	1 PLATE RAMP
8	22132-120-000	3 SIDE PIECE
9	28211-120-000	1 GEAR KICK DRIVE
10	28223-120-000	1 SPRING STARTER GEAR FRICTION
11	28230-120-000	1 GEAR COMP STARTER IDLE
12	28241-120-000	1 SHAFT STARTER IDLE
13	28242-120-000	1 SPRING STARTER IDLE
14	28250-120-000	1 STARTER SPINDLE COMP
15	96401-121612	1 BUSH
16	96401-141816	1 STARTER SPINDLE BUSH B
17	28281-120-000	1 STARTER SPRING
18	28282-120-000	1 SPECIAL PIN
19	94101-1225023	1 PLAIN WASHER
20	94101-1422012	1 PLAIN WASHER
21	94101-1222015	1 PLAIN WASHER
22	94050-12000	1 HEX FLANGE NUT WITH SERRATION
23	96000-06014-08	1 HEX WASHER FACE BOLT
24	96220-30085	1 ROLLER
25	96401-242830	1 BUSH
26	94512-2800R	2 INTERNAL CIR CLIP
27	28231-120-000	1 STARTER IDLE GEAR ASS'Y
28	28251-120-000	1 STARTER SPINDLE ASS'Y

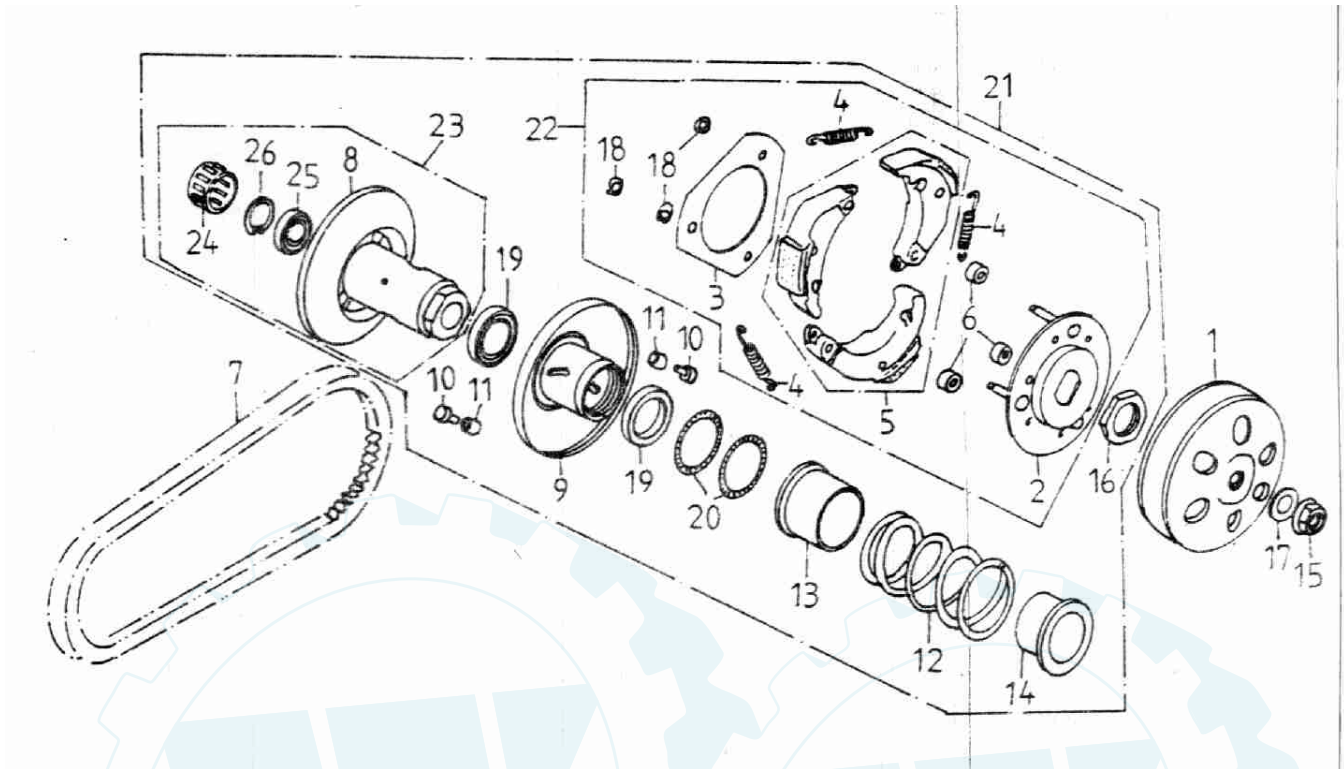
ERING

TB 125
Art. Nr.: 99336

Fliehkraftkupplung



Blatt 1 von 2



ERING

TB 125

Art. Nr.: 99336

Fliehkraftkupplung



Blatt 2 von 2

1	22100-120-000	1 CLUTCH COVER COMP
2	22350-120-000	1 PLATE COMP DRIVE
3	22351-120-000	1 PLATE CLUTCH SIDE
4	22401-120-000	3 SPRING CLUTCH
5	22535-120-000	3 CLUTCH WEIGHT SET
6	22804-120-000	3 RUBBER CLUTCH DAMPER
7	23100-120-000	1 BELT DRIVE
8	23210-120-000	1 FACE ASS'Y DRIVEN
9	23220-120-000	1 SECONDARY SLIDING SLOT WHEEL
10	23225-120-000	3 GUIDE PIN
11	23226-120-000	3 GUIDE PIN
12	23233-120-000	1 COMPRESSION SPRING
13	23237-120-000	1 SECONDARY SPRING SEAT
14	23238-120-000	1 COLLER SPRING
15	90201-120-000	1 NUT COMPRESSOR FLANGE
16	90202-120-000	1 NUT SPECIAL
17	94101-1229025	1 PLAIN WASHER
18	94511-0700E	3 EXTERNAL CIR CLIP
19	96500-34414	2 OIL SEAL
20	91336-104-000	2 OIL RING
21	22000-120-000	1 DRIVE FACE ASS'Y (B)
22	22001-120-000	1 PLATE ASS'Y DRIVE
23	23200-120-000	1 SECONDARY FIX SLOT WHEEL
24	96200-202918	1 NEEDLE BEARING
25	96100-6902U	1 RADIAL BALL BEARING
26	94512-280IR	1 INTERNAL CIR CLIP

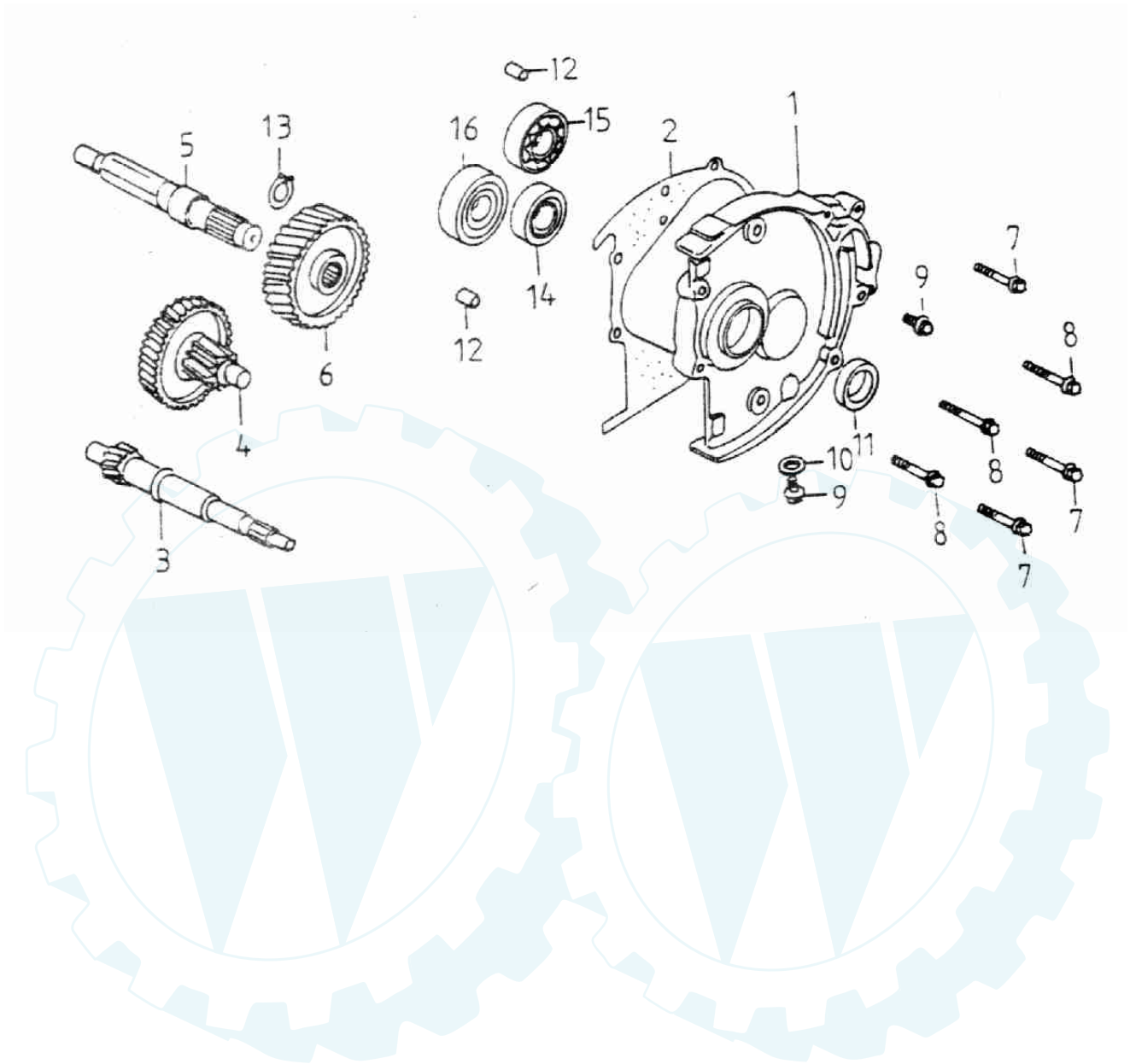
ERING

TB 125
Art. Nr.: 99336

Getriebe



Blatt 1 von 2



ERING

TB 125

Art. Nr.: 99336

Getriebe

Blatt 2 von 2

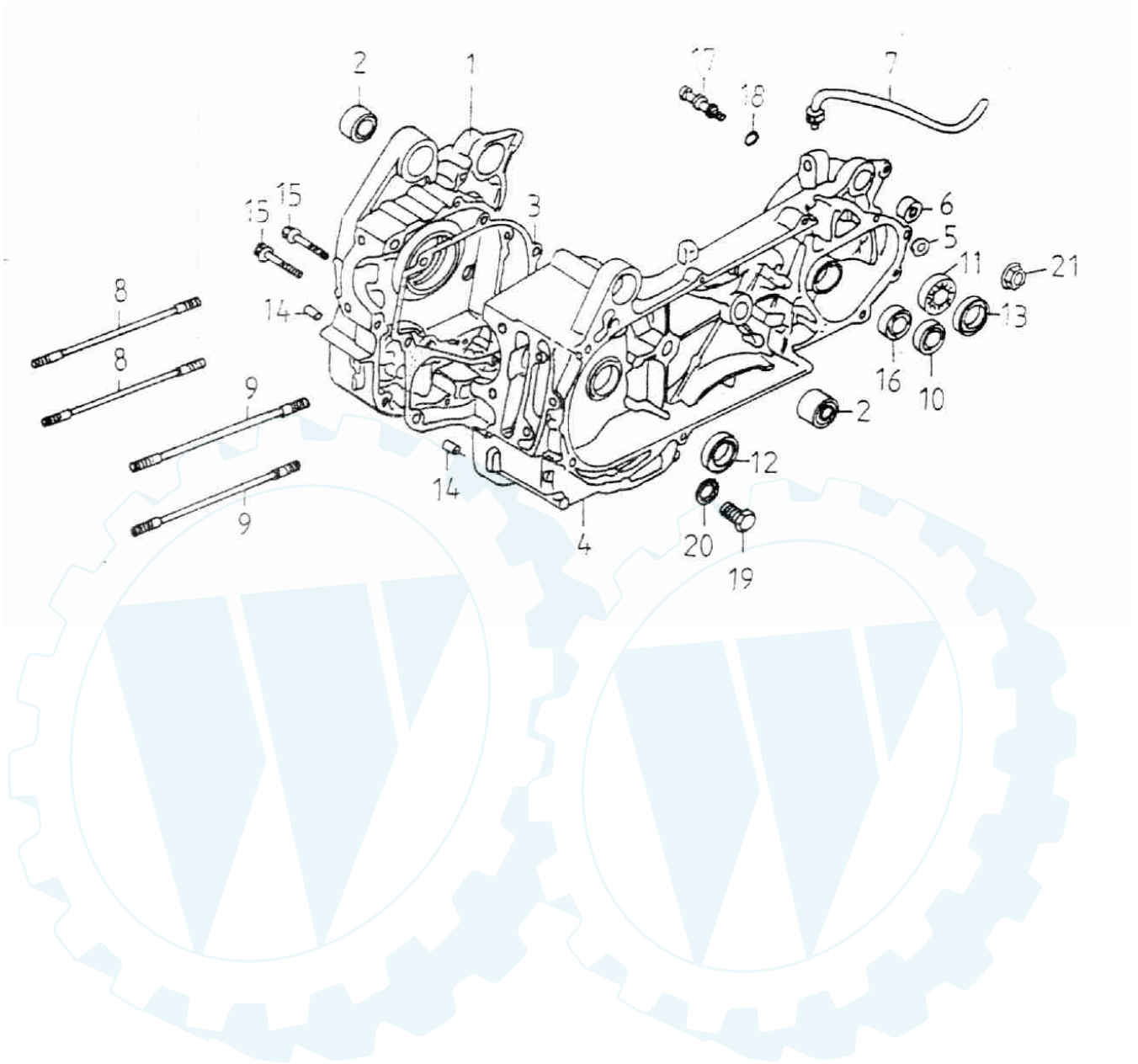
1	21301-121-000	1 MISSION COVER
2	21395-121-000	1 MISSION COVER GASKET
3	23411-121-000	1 SHAFT,DRIVE
4	23420-121-000	1 MAIN AXLE COMP
5	23431-120-000	1 SHAFT, FINAL
6	23432-121-000	1 GEAR FINAL
7	96000-06028-08	3 HEX WASHER FACE BOLT
8	96000-06035-08	3 HEX WASHER FACE BOLT
9	96000-08012-10	2 HEX WASHER FACE BOLT
10	94101-0816020	2 PLAIN WASHER
11	96500-20326	1 OIL SEAL
12	94301-08140	2 DOWEL PIN
13	94511-2000S	1 EXTERNAL CIR CLIP
14	96100-62020	1 RADIAL BALL BEARING
15	96100-62030	1 RADIAL BALL BEARING
16	96100-62040	1 RADIAL BALL BEARING

ERING

TB 125
Art. Nr.: 99336

Kurbelgehäuse

ERING
Blatt 1 von 2



ERING

TB 125

Art. Nr.: 99336

Kurbelgehäuse



Blatt 2 von 2

1	11101-121-000	1 RIGHT CRANKCASE
2	96400-102820	2 BUSH ENGINE HANGER RUBBER
3	11191-120-000	1 GASKET CRANKCASE
4	11201-121-000	1 LEFT CRANKCASE
5	94101-0815015	1 PLAIN WASHER
6	96400-082020	1 RUBBER BUSHING
7	16615-120-000	1 TUBE BREATHER
8	91001-08181	2 STUD BOLT
9	91001-08187	2 STUD BOLT
10	96100-TMB301	1 RADIAL BALL BEARING
11	96100-6004U	1 RADIAL BALL BEARING
12	96500-19305	1 OIL SEAL
13	96500-27427	1 OIL SEAL
14	94301-08140	2 DOWEL PIN
15	96000-06050	2 HEX WASHER FACE BOLT
16	96100-60020	1 RADIAL BALL BEARING
17	45110-120-000	1 PIN BRAKE SHOE ANCHOR
18	91307-101-000	1 OIL RING
19	96000-12015-14	1 HEX WASHER FACE BOLT
20	94101-1221320	1 PLAIN WASHER
21	94050-08000	1 HEX FLANGE NUT WITH SERRATION

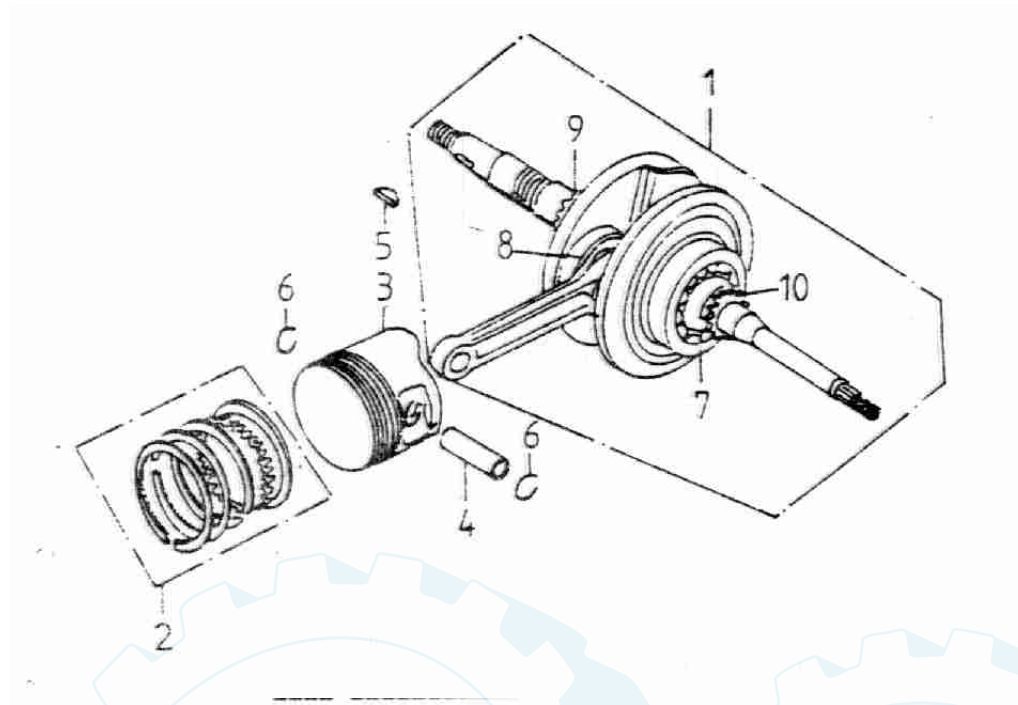
ERING

TB 125
 Art. Nr.: 99336

Kurbelwelle und Kolben



Blatt 1 von 1



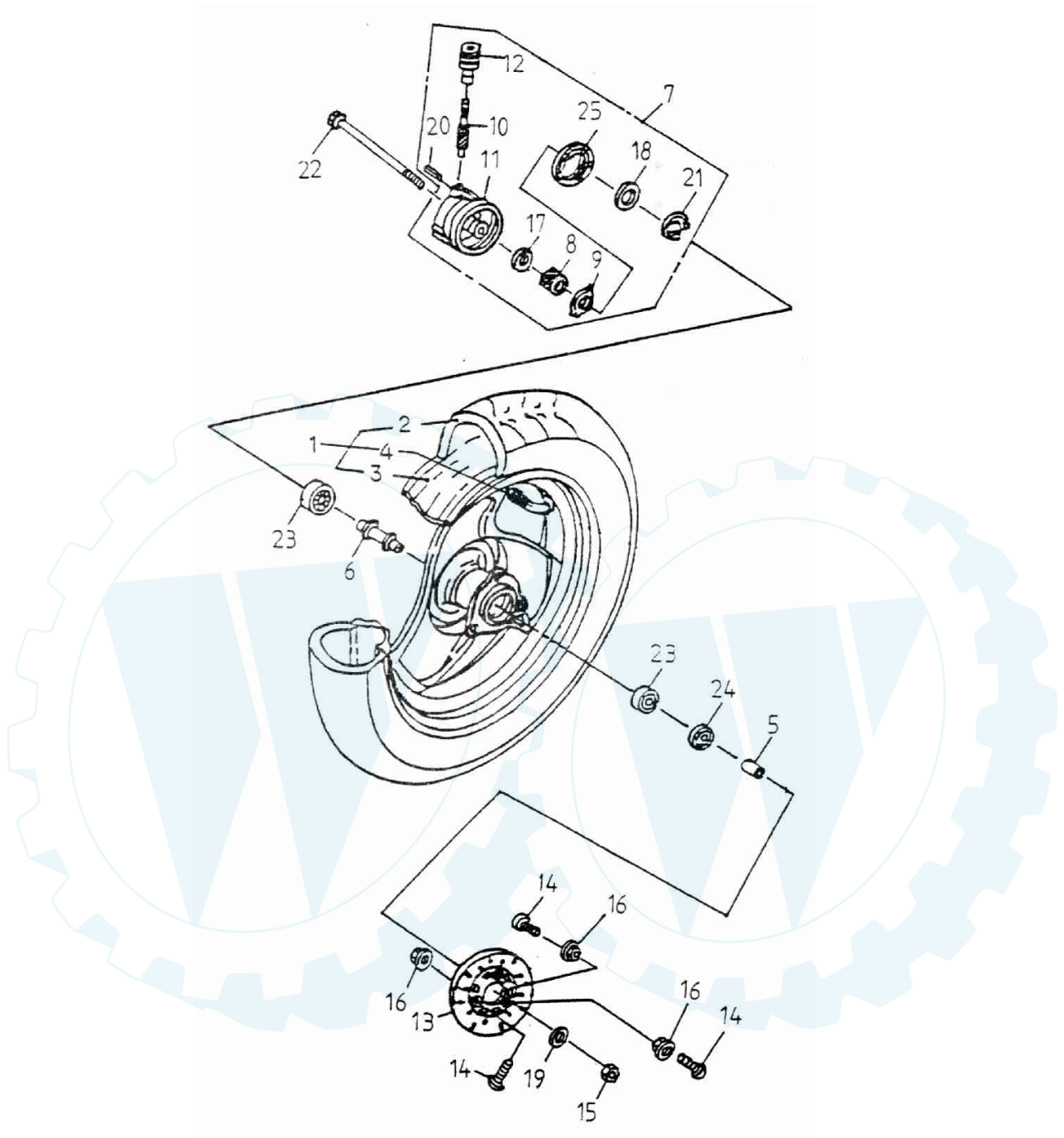
1	13000-120-000	1 CRANKSHAFT ASS'Y
2	13011-120-000	1 PISTON RING SET
3	13100-120-000	1 PISTON
4	13111-120-000	1 PISTON PIN
5	90471-101-000	1 SEMICYCLE KEY
6	13115-120-000	2 CLIP PISTON PIN
7	TMSC04A86CS12	2 BEARING
8	96200-283313	1 NEDDLE BEARING
9	14311-120-000	1 TIMING GEAR
10	14322-120-000	1 CAM TRANSMISSION GEAR

ERING

TB 125
Art. Nr.: 99336

Vorderrad

ERING
Blatt 1 von 2



ERING

TB 125
Art. Nr.: 99336

Vorderrad



Blatt 2 von 2

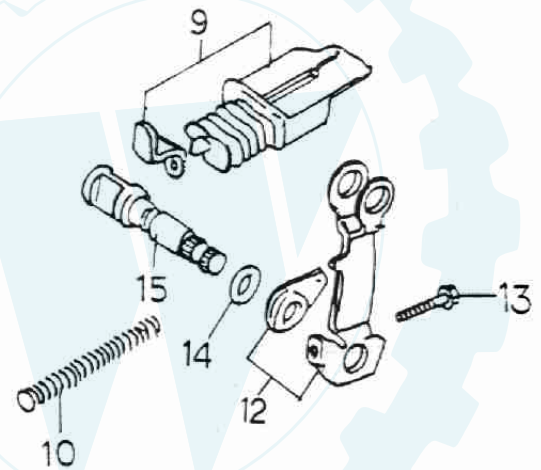
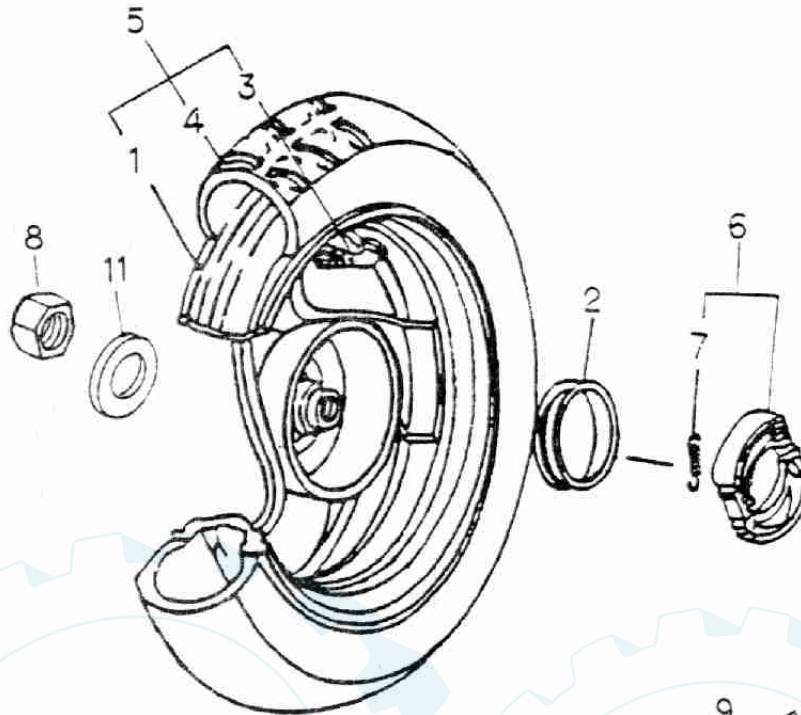
1	42700-125-00A	1 FRONT WHEEL SET
2	42711-121-000	1 FRONT/REAR TIRE
3	42701-125-00A	1 FRONT RIM-12" SPCC
4	42616-104-000	1 AIR NOZZLE
5	44311-125-000	1 FRONT COLLAR
6	44620-125-00A	1 FRONT SPACER TUBE (SPCC RIM)
7	44806-110-000	1 SPEEDOMETER GEAR ASS'Y
8	44811-110-000	1 SPEEDOMETER MAIN GEAR
9	44812-107-000	1 SPEEDOMETER GEAR BRACKET
10	44813-107-000	1 SPEEDOMETER SECONDARY GEAR
11	44816-107-000	1 SPEEDOMETER GEAR EXTERNAL COVER
12	44818-107-000	1 SPEEDOMETER GEAR COPPER HEAD
13	45015-119-000	1 FRONT BRAKE DISC
14	45016-107-000	3 BRAKE DISC HEX SOCKET BOLT
15	90350-10000	1 NUT NYLON
16	94050-10000	3 HEX FLANGE NUT WITH SERRATION
17	94101-1622010	1 PLAIN WASHER
18	94101-1628010	1 PLAIN WASHER
19	94101-1022015	1 PLAIN WASHER
20	94305-20140	1 SPLIT SPRING PIN
21	94511-1600S	1 EXTERNAL CIR CLIP
22	96000-10225-14	1 HEX WASHER FACE BOLT
23	96100-6300Z	2 RADIAL BALL BEARING
24	96500-17357	1 OIL SEAL
25	96500-40526	1 OIL SEAL

ERING

TB 125
Art. Nr.: 99336

Hinterrad

ERING
Blatt 1 von 2



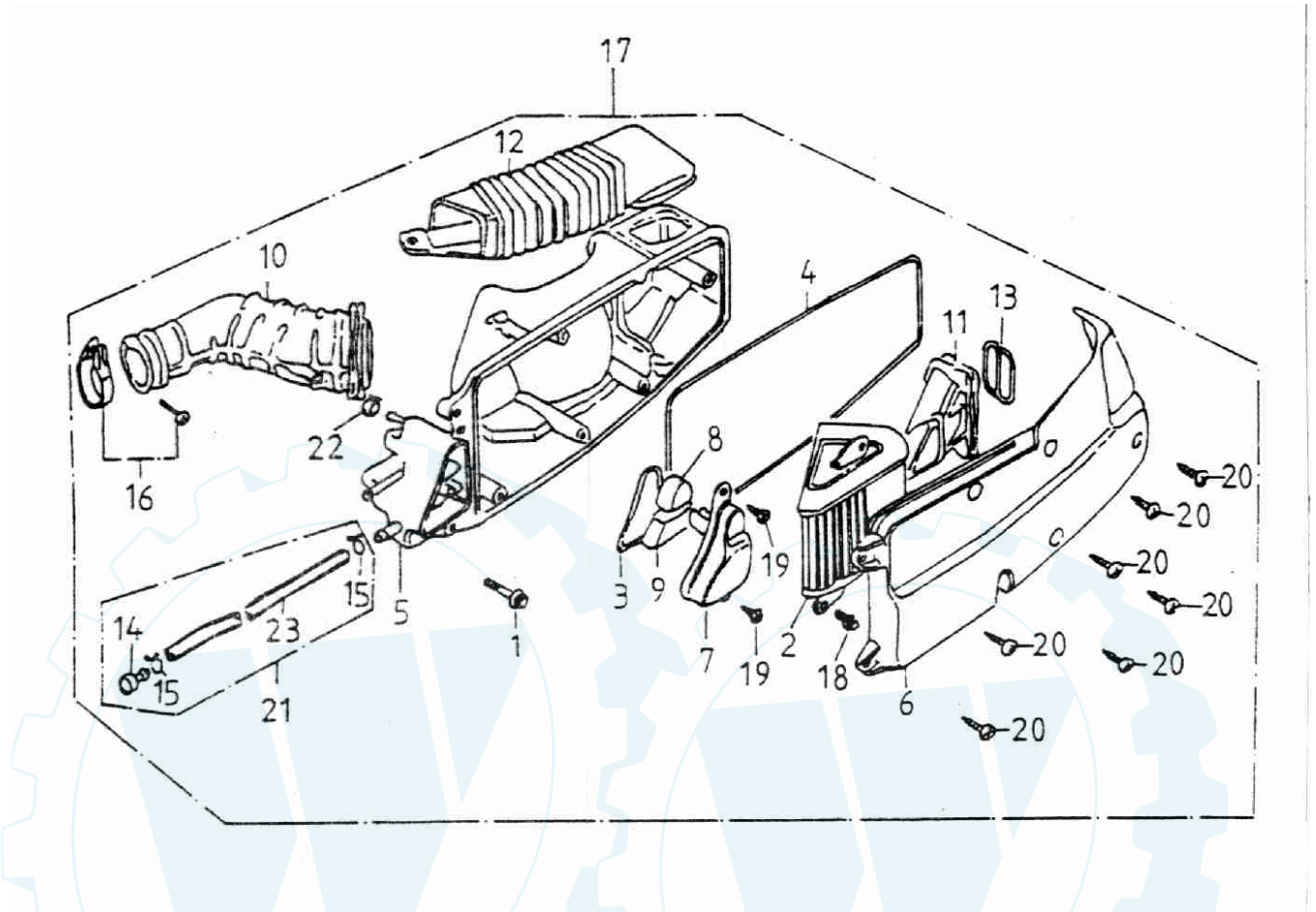
- | | | |
|----|----------------|-------------------------|
| 1 | 42801-121-000 | 1 REAR RIM |
| 2 | 42611-104-000 | 1 RING#2 (REAR WHEEL) |
| 3 | 42616-104-000 | 1 AIR NOZZLE |
| 4 | 42711-121-000 | 1 FRONT/REAR TIRE |
| 5 | 42812-121-000 | 1 REAR TIRE SET |
| 6 | 43120-101-001 | 1 REAR BRAKE SHOE ASS'Y |
| 7 | 43133-120-000 | 2 SPRING BRAKE SHOE |
| 8 | 90350-16000 | 1 NUT NYLON |
| 9 | 43415-120-000 | 1 COVER RR. BRAKE ARM |
| 10 | 43472-121-000 | 1 RESET SPRING |
| 11 | 94101-1725030 | 1 PLAIN WASHER |
| 12 | 43410-120-000 | 1 REAR BRAKE ARM |
| 13 | 96000-06032-10 | 1 HEX WASHER FACE BOLT |
| 14 | 91311-120-000 | 1 OIL-RING |
| 15 | 43141-120-000 | 1 REAR BRAKE CAM SHAFT |

ERING

TB 125
Art. Nr.: 99336

Luftfilter

ERING
Blatt 1 von 2



ERING

TB 125
Art. Nr.: 99336

Luftfilter



Blatt 2 von 2

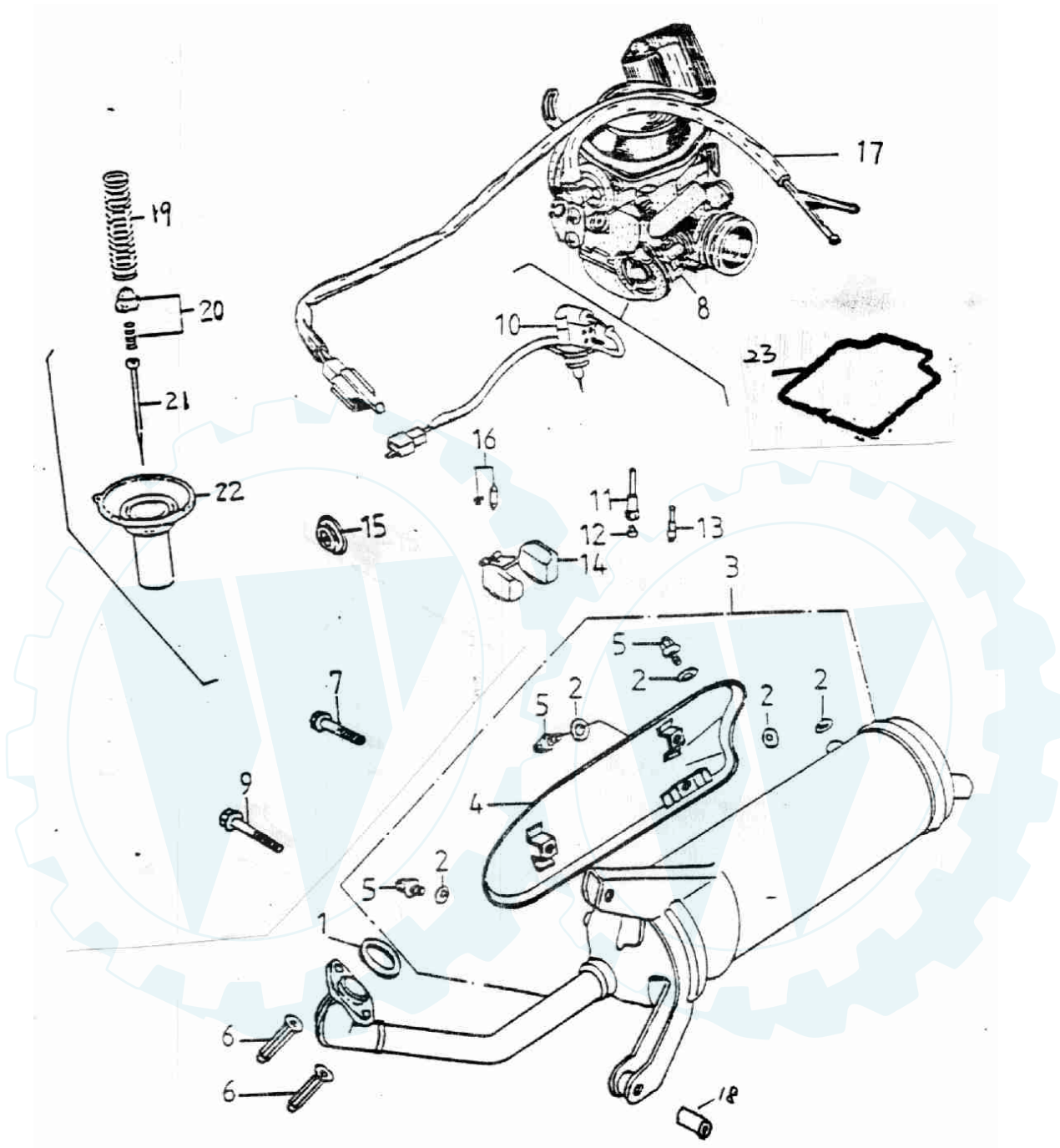
1	96000-06028-08	2 HEX WASHER FACE BOLT
2	17205-120-000	1 AIR CLEANER ELEMENT
3	17212-120-000	1 SEAL OIL CATCH
4	17212-120-00A	1 SEAL OIL CLEANER COVER
5	17206-120-000	1 AIR CLEANER CASE
6	17207-120-000	1 CLEANER CASE CAP
7	17232-120-000	1 COVER OIL CATCH
8	17234-120-000	1 FILTER BREATHER
9	17235-120-000	1 FILTER OIL CATCH
10	17253-120-000	1 AIR CLEANER JOINT
11	17255-120-000	1 DUCT AIR CLEANER IN
12	17257-120-000	1 DUCT AIR CLEANER CASE
13	17258-120-000	1 SPRING IN DUCT
14	17370-120-000	1 PLUG BREATHER TUBE
15	94510-12000	2 CLIP
16	14110-120-000	1 INTAKE MANIFOLD HOSE CLAMP
17	17200-120-000	1 AIR CLEANER ASS'Y
18	93500-05010	2 PAN PHILLIPS BOLT
19	93903-04012	2 TAPPING SCREW TRUSS HEAD PHILLIPS
20	93903-05020	7 TAPPING SCREW TRUSS HEAD PHILLIPS
21	17360-120-000	1 TUBE ASS'Y DRAIN
22	94509-09000	1 CLAMP TUBE
23	94400-08012	1 TUBE VINYL

ERING

TB 125
Art. Nr.: 99336

Auspuff

ERING
Blatt 1 von 2



ERING

TB 125
Art. Nr.: 99336

Auspuff



Blatt 2 von 2

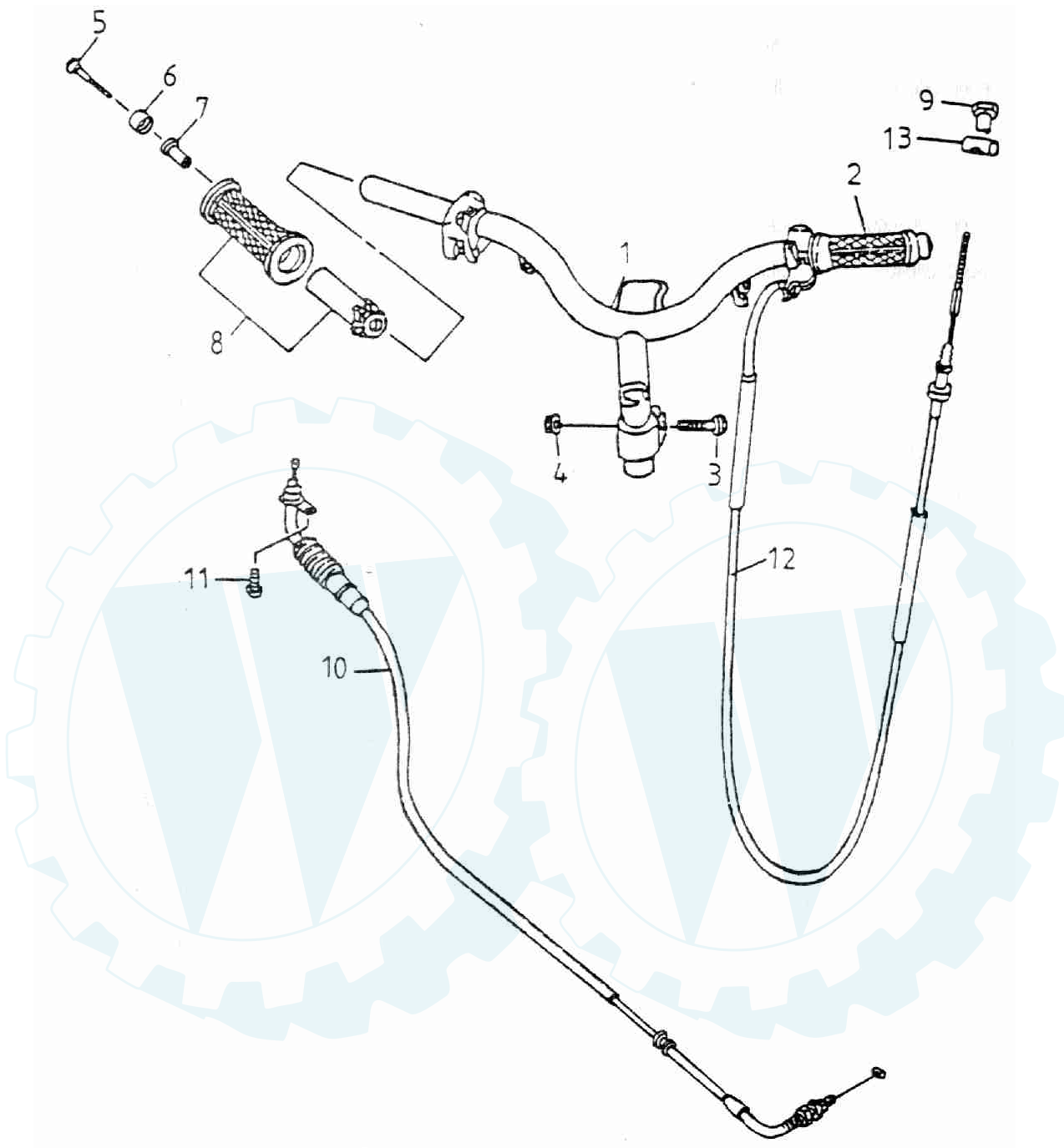
1	18291-101-000	1 EXHAUST PIPE GASKET
2	94101-0612015	4 PAPER PLAIN WASHER
3	18300-121-000	1 EXHAUST PIPE ASS'Y
4	18301-121-000	1 PROTECTOR COMP MUFFLER
5	96000-06010-08	3 HEX WASHER FACE BOLT
6	90301-06000	2 NUT CAP
7	96000-08032	1 HEX WASHER FACE BOLT
8	16100-120-000	1 CARBURETOR ASS'Y
9	96000-08040	1 HEX WASHER FACE BOLT
10	17215-120-000	1 PLUNGER STARTER
11	16105-120-000	1 NEEDLE NOZZLE
12	16108-120-000	1 MAIN NOZZLE
13	16110-120-000	1 PILOT JET
14	16118-120-000	1 FLOAT
15	16048-120-000	1 PLUNGER FILM
16	16117-120-000	1 NEEDLE VALVE SET
17	16139-120-000	1 3-WAY CONNECTOR
18	18302-120-000	1 COLLAR
19	16102-120-000	1 THROTTLE VALVE SPRING
20	16037-120-000	1 VALVE PLATE SET
21	16104-120-000	1 NEEDLE SET
22	16103-120-000	1 VACUUM PISTON
23	16106-120-000	1 FLOAT CHAMBER SEAL

ERING

TB 125
Art. Nr.: 99336

Lenker

ERING
Blatt 1 von 2



ERING

TB 125
Art. Nr.: 99336

Lenker



Blatt 2 von 2

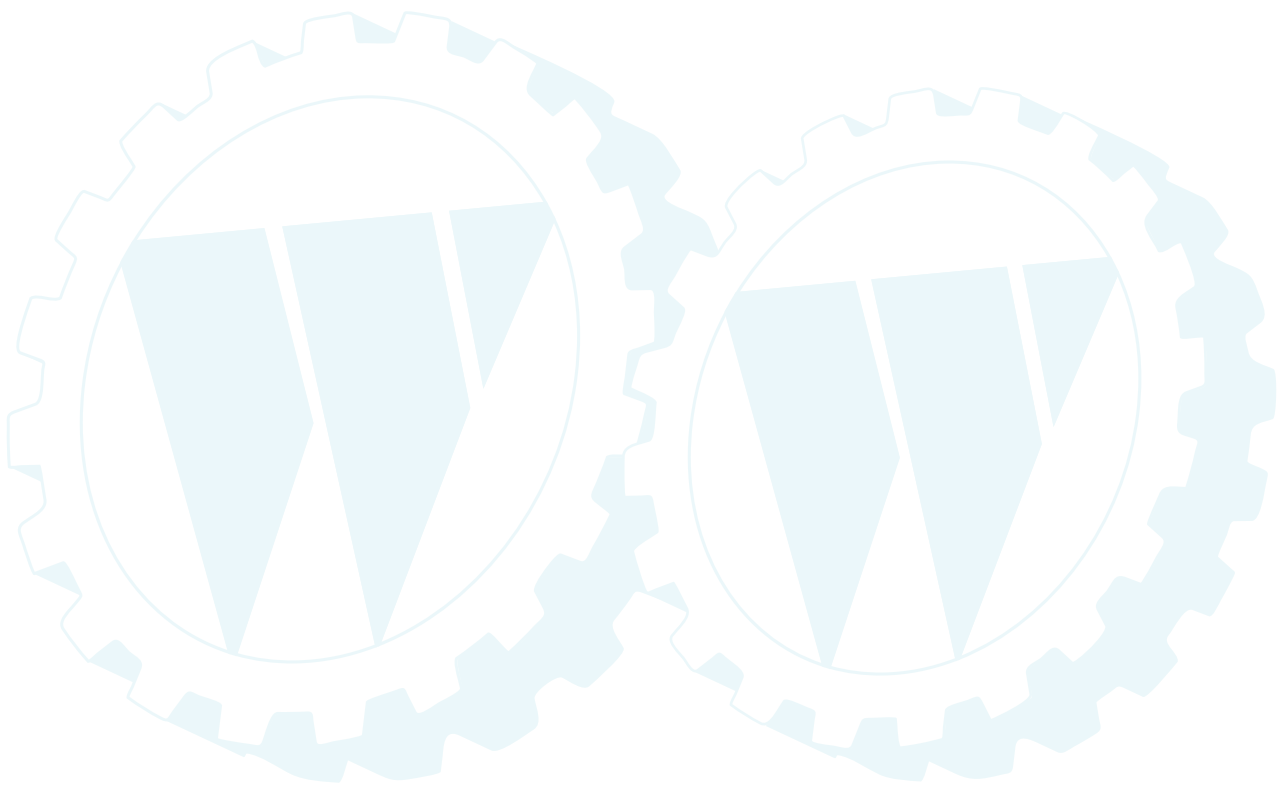
1	53100-125-000	1 HANDLE BAR
2	53166-107-000	1 L.HANDLE GRIP
3	96000-10045-14	1 HEX WASHER FACE BOLT
4	94050-10000	1 HEX FLANGE NUT WITH SERRATION
5	93902-06045	2 FLAT HEAD PHILLIPS BOLT
6	53116-107-000	2 GRIP END
7	53111-107-000	2 GRIP END SPACER TUBE
8	53165-107-000	1 R.HANDLE GRIP COMP
9	95015-41000	1 REAR BRAKE ADJUST NUT
10	17910-127-000	1 THROTTLE CABLE
11	93500-05010	1 PAN PHILLIPS BOLT
12	43450-120-000	1 REAR BEAKE CABLE
13	95015-31001	1 REAR BRAKE FIXTURE

ERING

TB 125
Art. Nr.: 99336

Lenker

ERING
Blatt 2 von 2



ERING



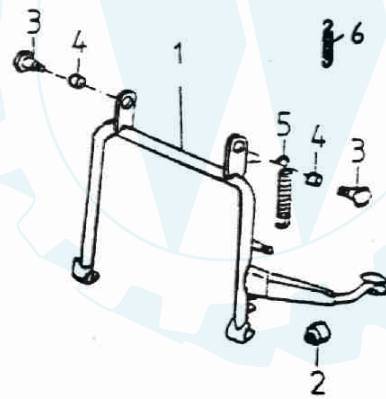
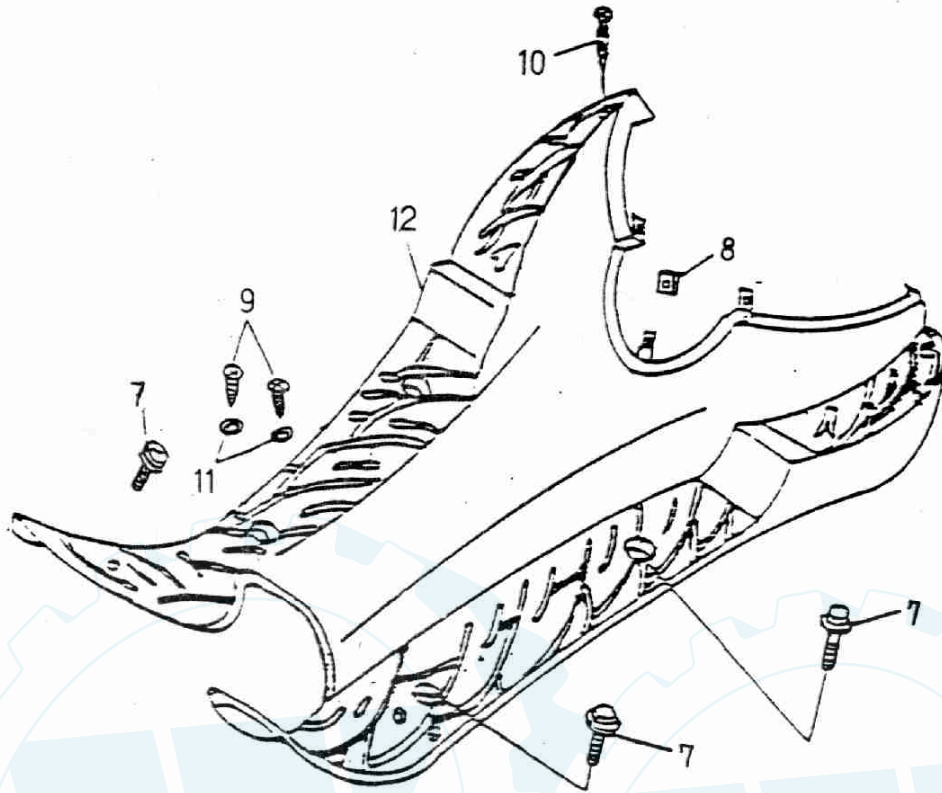
ERING

TB 125
Art. Nr.: 99336

Trittbrett



Blatt 1 von 1



- | | | |
|----|----------------|-------------------------------------|
| 1 | 50500-121-000 | 1 MAIN STAND COMP |
| 2 | 95011-101-000 | 1 RUBBER |
| 3 | 50501-120-000 | 2 MAIN STAND SNUBBER RUBBER |
| 4 | 50502-120-000 | 2 MAIN STAND BUSHING |
| 5 | 95014-79026 | 1 MAIN STAND RESET SPRING |
| 6 | 95014-79011 | 1 MAIN STAND RESET SMALL SPRING |
| 7 | 92000-06018-10 | 6 HEX BOLT |
| 8 | 90344-04000 | 1 U PLATE NUT |
| 9 | 93903-05016 | 4 TAPPING SCREW TRUSS HEAD PHILLIPS |
| 10 | 93903-04035 | 2 TAPPING SCREW TRUSS HEAD PHILLIPS |
| 11 | 94101-0615010 | 4 PLAIN WASHER |
| 12 | 64310-125-000 | 1 FLOOR PANEL |

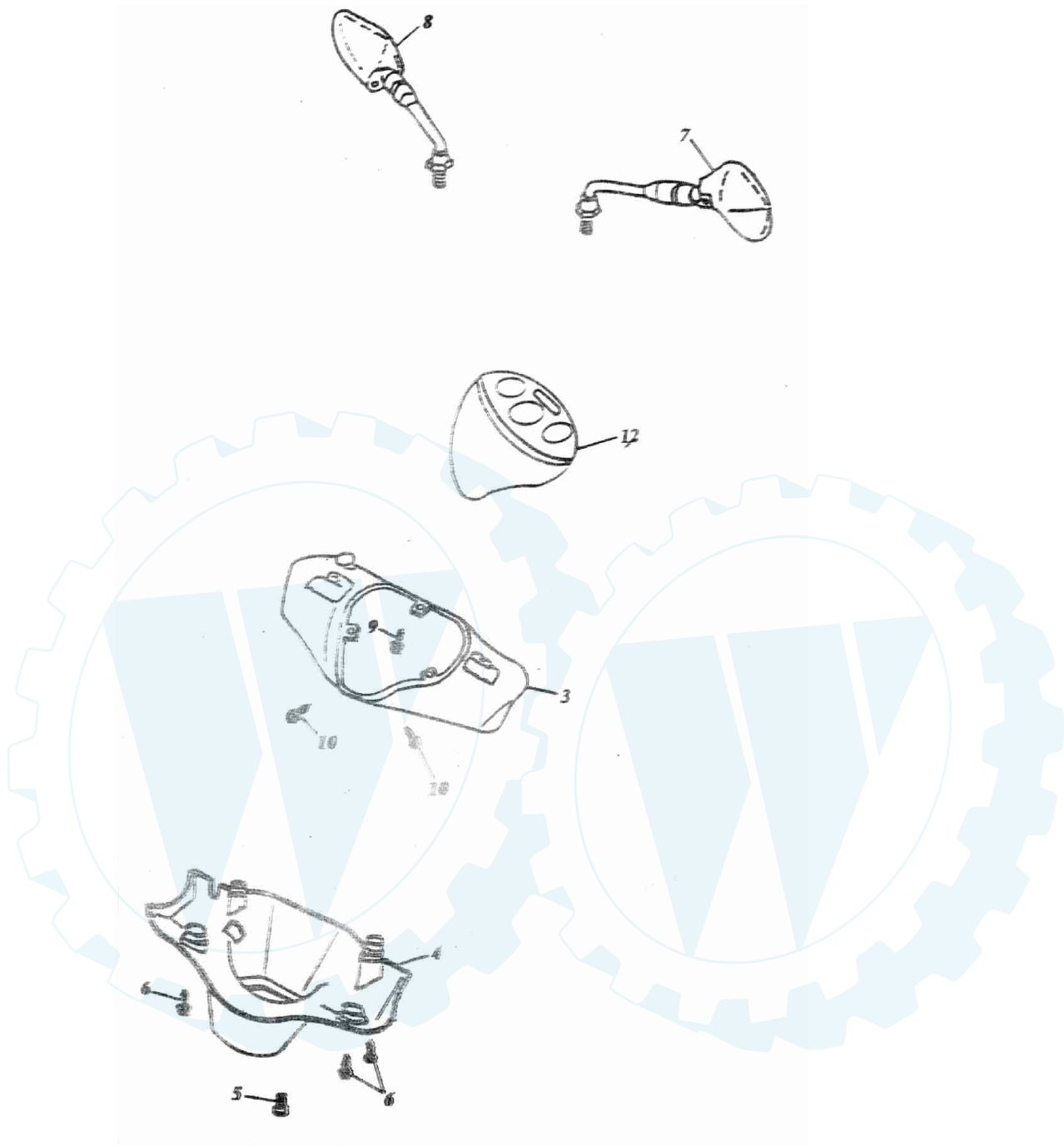
ERING

TB 125
Art. Nr.: 99336

Spiegel



Blatt 1 von 2



ERING

TB 125
Art. Nr.: 99336

Spiegel



Blatt 2 von 2

1	64212-125-000	1 TRIM.SPEEDOMETER L.ID
2	64212-125-00B	1 TRIM SPRRDOMETERLID(CARBON)
3	53211-125-000	1 SPEEDOMETER UP L.ID
4	53205-125-000	1 SPEEDOMTER DOWN L.ID
5	93500-05012	1 PAN PHILLIPS BOLT
6	93903-05016	4 TAPPING SCREW TRUSS HEAD PHILLPS
7	88110-125-000	1 R.BACK VIEW MIRROR
8	88120-125-000	1 L.BACK VIEW MIRROR
9	93903-04012	1 TAPPING SCREW TRUSS HEAD PHILLIPS
10	93903-04016	2 TAPPING SCREW TRUSS HEAD PHILLIPS

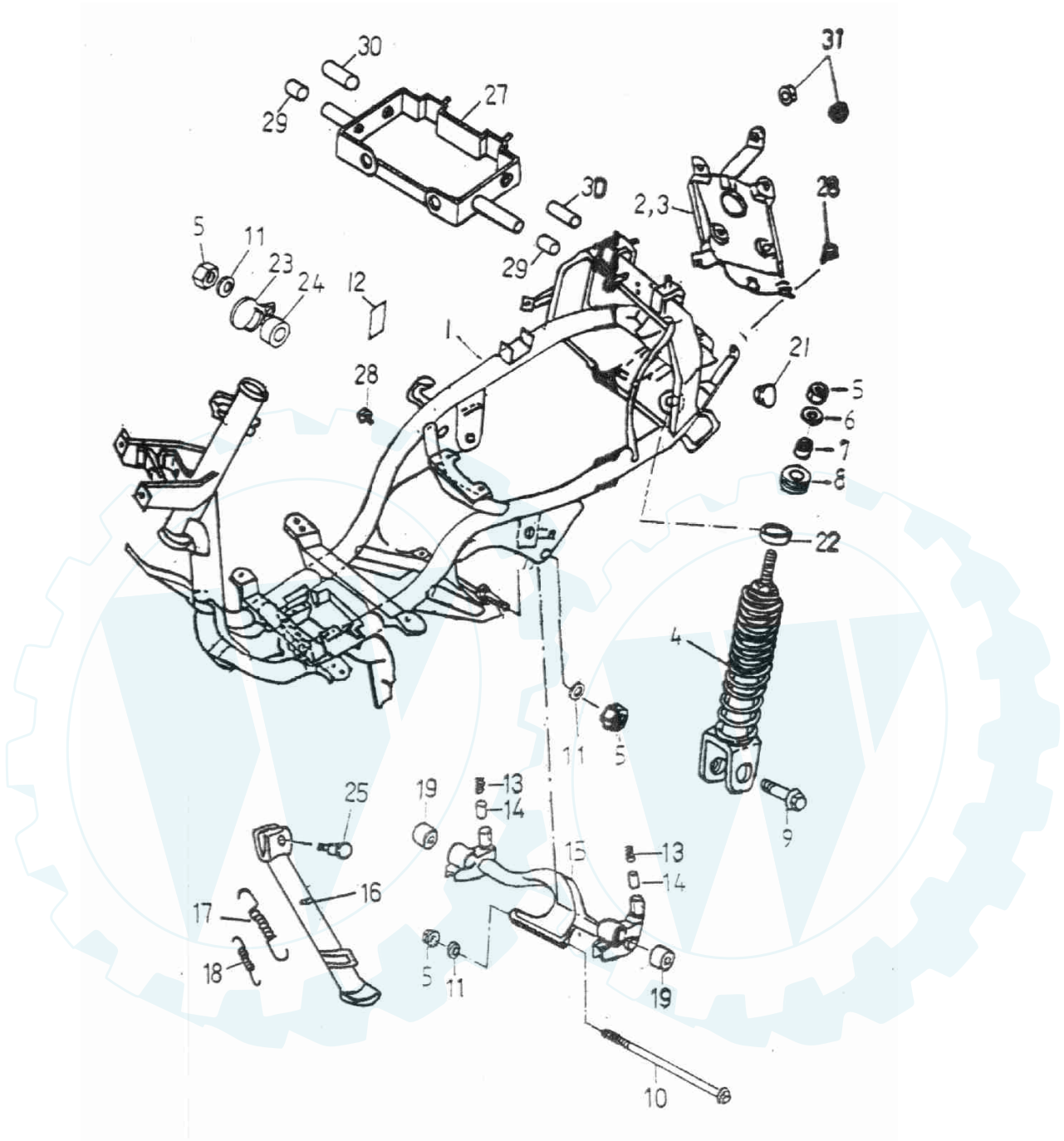
ERING

TB 125
Art. Nr.: 99336

Rahmen



Blatt 1 von 2



ERING

TB 125

Art. Nr.: 99336

Rahmen



Blatt 2 von 2

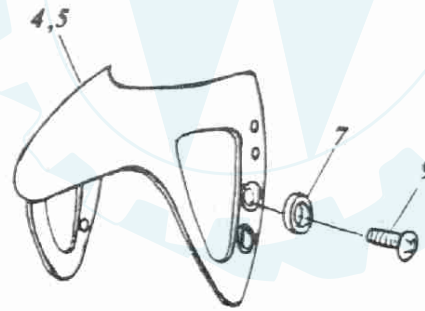
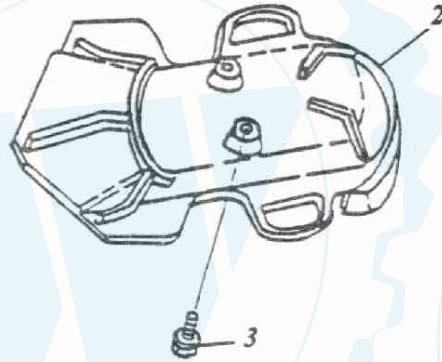
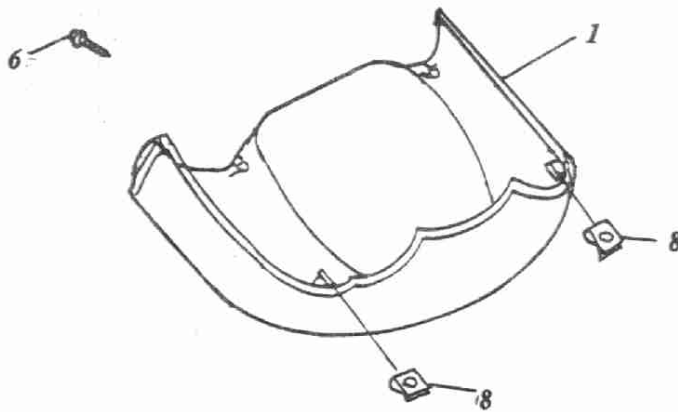
1	50100-127-000	1	FRAME COMP
2	50357-125-000	1	TAIL LIGHT FIX BRACKET(NO CARRIER)
3	50357-125-00A	1	TAIL LIGHT FIX BRACKET(CARRIER)
4	52400-127-000	1	REAR CUSHION ASS'Y
5	90350-10000	4	NUT NYLON
6	94101-1032030	1	PLAIN WASHER
7	52401-120-000	1	CUSHION SPACE TUBE
8	52402-120-000	1	CUSHION GROMMET
9	96000-08035-12	1	HEX WASHER FACE BOLT
10	96000-10184-12	1	HEX WASHER FACE BOLT
11	94101-1022015	3	PLAIN WASHER
12	50110-127-000	1	ALUMINUM PLATE
13	50351-104-000	2	BRACKET SNUBBER SPRING
14	50352-104-000	2	BRACKET SNUBBER RUBBER
15	50350-121-000	1	ENGINE BRACKET ASS'Y
16	50530-127-000	1	SIDE STAND
17	95014-116-000	1	SIDE STAND RESET SPRING
18	95014-71404-0A	1	SIDE STAND RESET SPRING(SMALL)
19	96400-103030	2	RUBBER BUSHING
20	90103-116-000	2	ENGINE MOUNTING SQUARE BOLT
21	96421-116-000	2	RUBBER CAP
22	52403-120-000	1	BOWL FIXING SEAT
23	50354-120-000	1	BRACKET FIXING SEAT
24	50355-120-000	1	BRACKET GROMMET
25	90108-116-000	1	HEX BOLT
26	31502-127-000	1	BATTERY FIXING PLATE
27	81205-125-000	1	INNER CARRIER
28	92000-06018-10	4	HEX BOLT
29	81201-125-000	2	SPACE TUBE
30	81202-125-000	2	SPACE TUBE
31	94050-06000	2	HEX FLANGE NUT WITH SERRATION

ERING

TB 125
Art. Nr.: 99336

Schutzblech vorne

ERING
Blatt 1 von 1



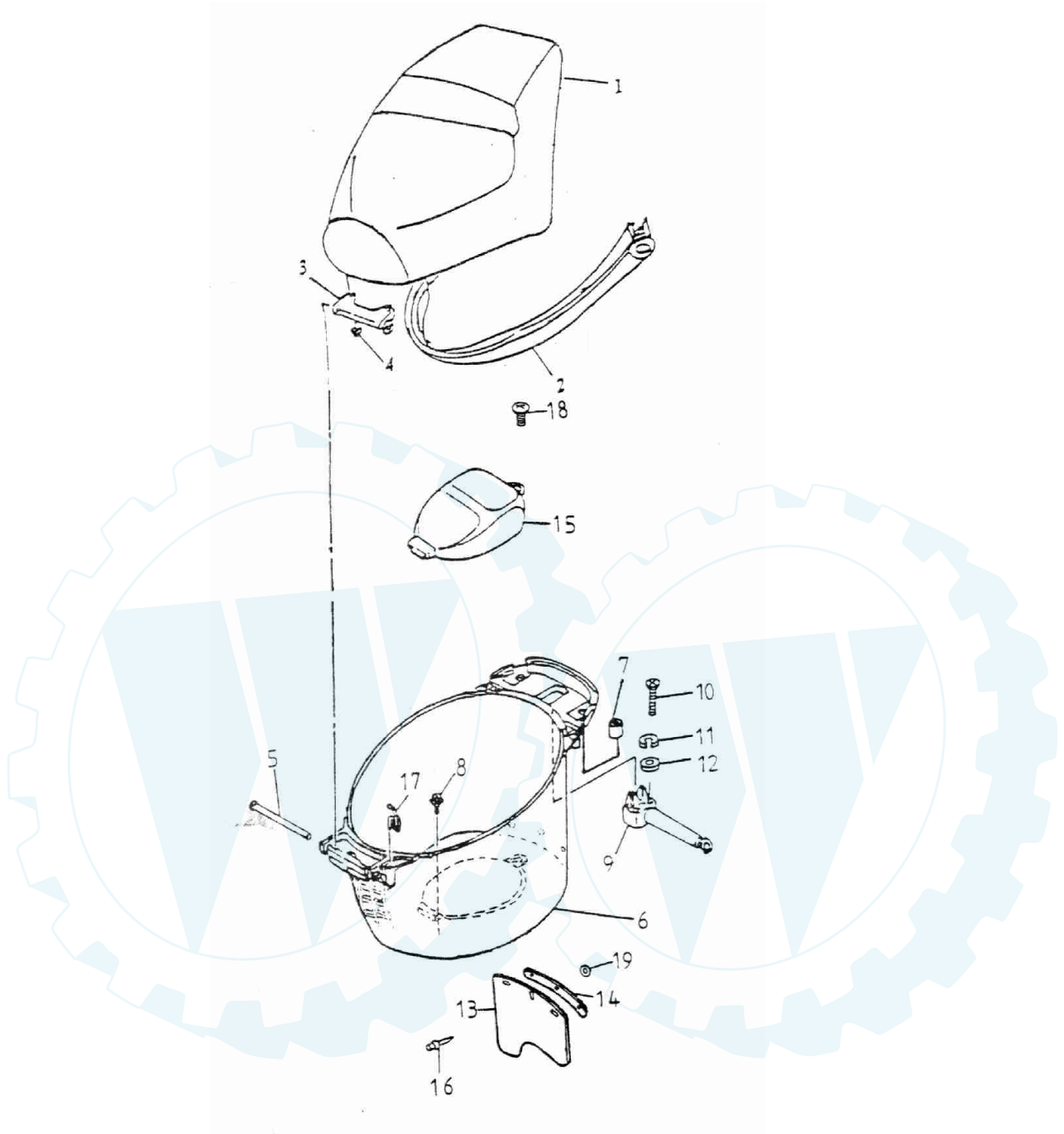
1	50150-125-000	1	COWLING
2	61105-110-000	1	FRONT FENDER
3	92000-06018-10	2	HEX BOLT
4	61100-125-000	1	FRONT FENDER
5	61100-125-00B	1	FRONT FENDER
6	93903-05016	2	TAPPING SCREW TRUSS HEAD PHILLPS
7	94101-0615010	4	PLAIN WASHER
8	90344-04000	2	U PLATE NUT
9	93500-06015	4	PAN PHILLIPS BOLT

ERING

TB 125
Art. Nr.: 99336

Sitzbank und Helmfach

ERING
Blatt 1 von 2



ERING

TB 125

Art. Nr.: 99336

Sitzbank und Helmfach



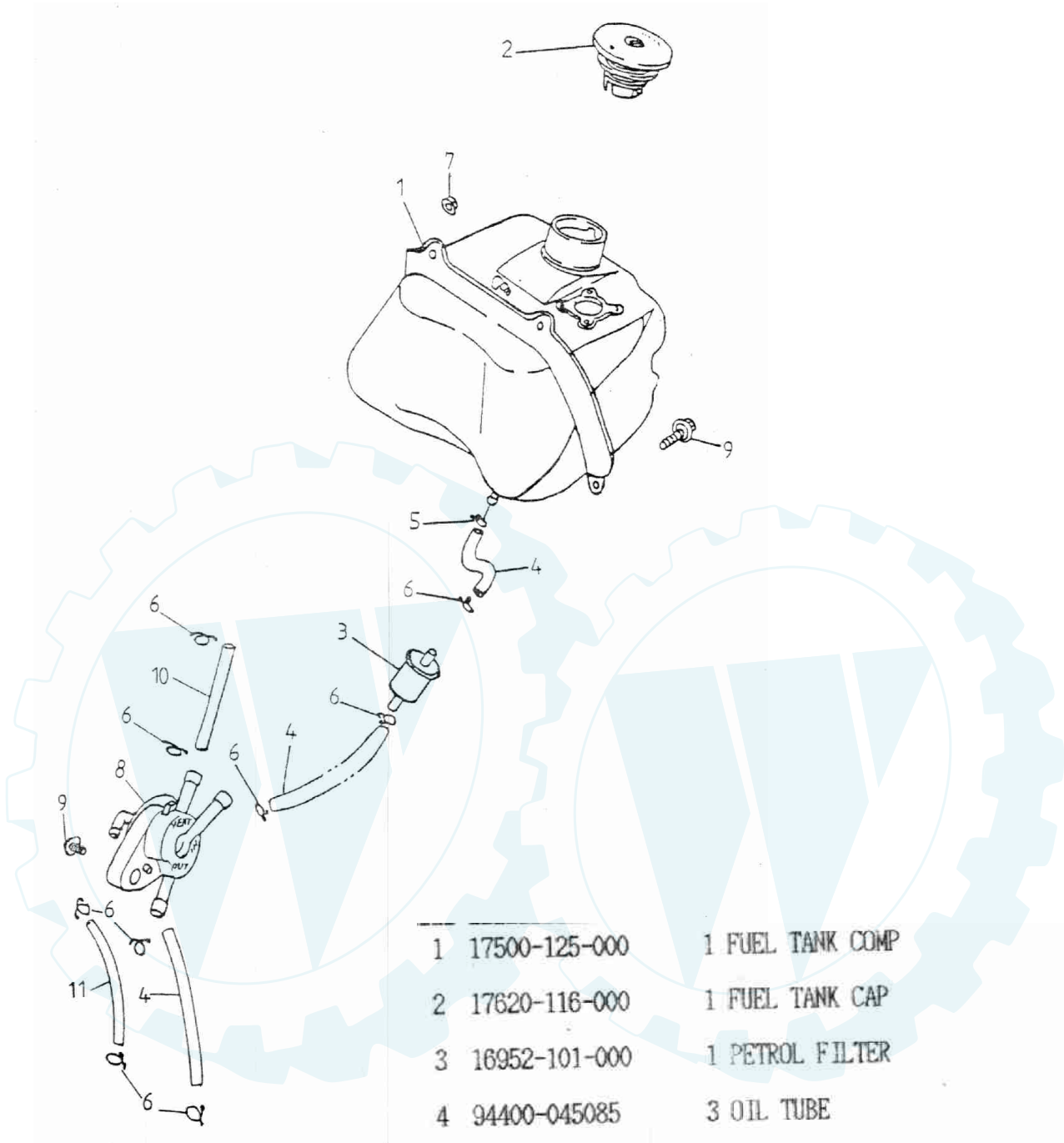
Blatt 2 von 2

1	77200-125-000	1 SEAT ASS'Y
2	77209-125-000	1 SEAL
3	77201-116-000	1 SEAT BRACKET
4	94050-06000	2 HEX FLANGE NUT WITH SERRATION
5	77203-116-000	1 SEAT FIX SHAFT
6	77207-120-000	1 HELMET BOX
7	81201-116-000	2 SPACE TUBE
8	96000-06018-10	2 HEX WASHER FACE BOLT
9	77230-125-000	1 SEAT LOCK ASS'Y
10	93500-06040	2 PAN PHILLIPS BOLT
11	94111-0612015	2 SPRING WASHER
12	94101-0613010	2 PLAIN WASHER
13	77205-120-000	1 FENDER
14	77206-120-000	1 FENDER BRACKET
15	77202-120-000	1 COVER, CARBURATETOR MAINTENANCE
16	90662-105-000	3 RIVET
17	93701-06015	1 PAN FLAT HEAD PHILLIPS BOLT
18	94101-0412010	3 PLAIN WASHER

ERING

TB 125
 Art. Nr.: 99336

Benzintank



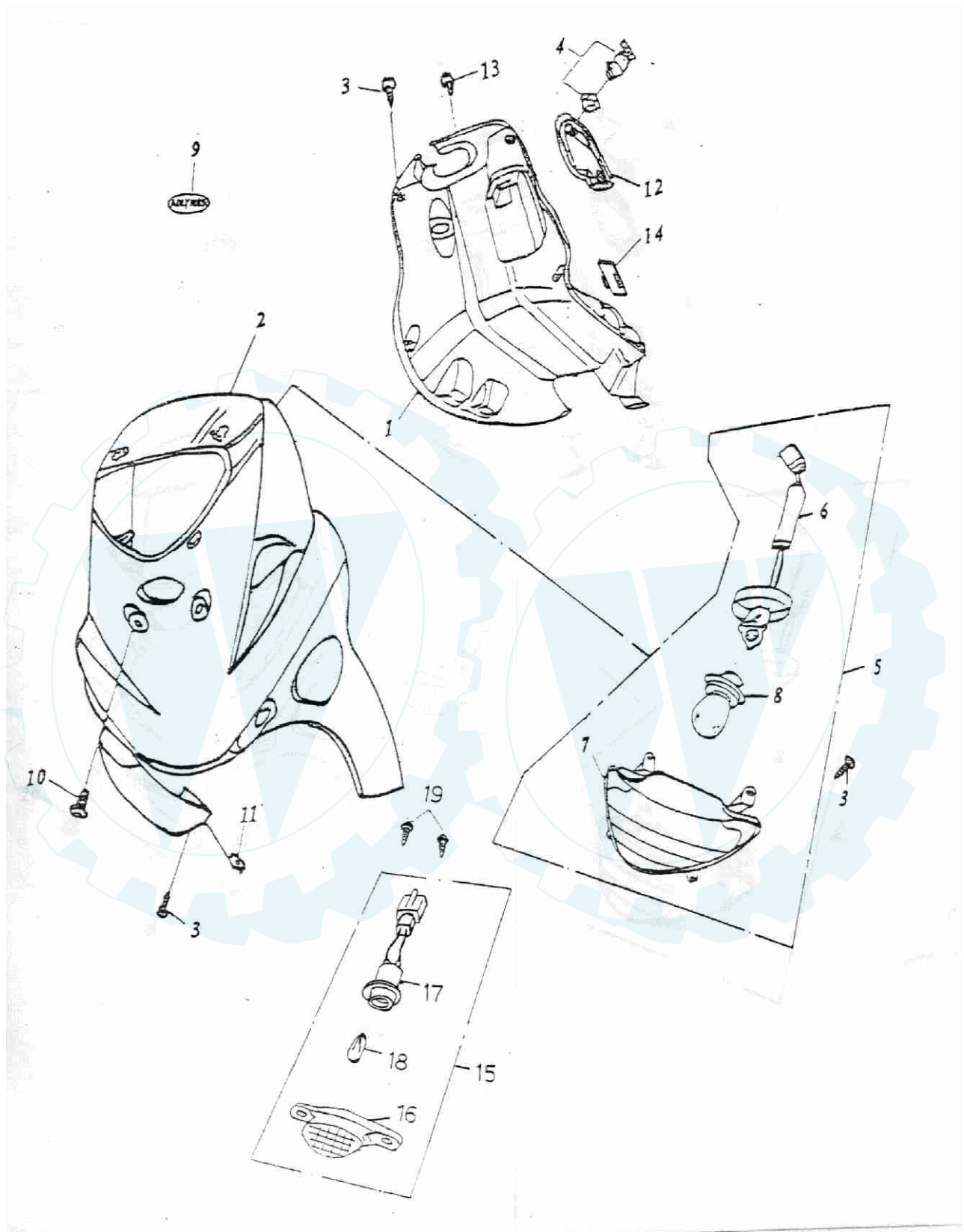
1	17500-125-000	1 FUEL TANK COMP
2	17620-116-000	1 FUEL TANK CAP
3	16952-101-000	1 PETROL FILTER
4	94400-045085	3 OIL TUBE
5	94510-10500	1 CLIP
6	94510-08000	9 CLIP
7	94050-06000	2 HEX FLANGE NUT WITH SERRATION
8	16950-116-000	1 FUEL CUP
9	92000-06018-10	2 HEX BOLT
10	94400-04808	1 OIL TUBE
11	94400-035075	1 HOSE

ERING

TB 125
Art. Nr.: 99336

Verkleidung vorne

ERING
Blatt 1 von 2



ERING

TB 125
Art. Nr.: 99336

Verkleidung vorne



Blatt 2 von 2

1	81131-125-000	1 INNEX BOX
2	64301-127-000	1 FRONT COVER
3	93903-05016	14 TAPPING SCREW TRUSS HEAD PHILLIPS
4	81142-116-000	1 INNER BOX LOCK
5	33100-125-000	1 HEAD LIGHT ASS'Y (E-MARK)
6	34801-125-000	1 HEAD LIGHT WIRE
7	33110-125-000	1 HEAD LIGHT COVER (E-MARK)
8	34901-110-00A	1 HEAD LIGHT BULB (E-MARK)
9	87703-125-000	1 "ADLY MOTO" MARK
10	93800-06020	3 PAN PHILIPS BOLT
11	90344-04000	2 U PLATE NUT
12	81141-125-000	1 INNER BOX LID
13	92000-06018-10	1 HEX BOLT
14	81134-125-000	1 FRAME NUMBER COVER
15	34900-127-000	1 POSITION LAMP
16	33501-127-000	1 POSITION LIGHT COVER (E-MARK)
17	33502-127-000	1 POSITION LIGHT WIRE
18	34909-120-000	1 POSITION LIGHT BULB
19	93903-04015	2 TAPPING SCREW TRUSS HEAD PHILLIPS

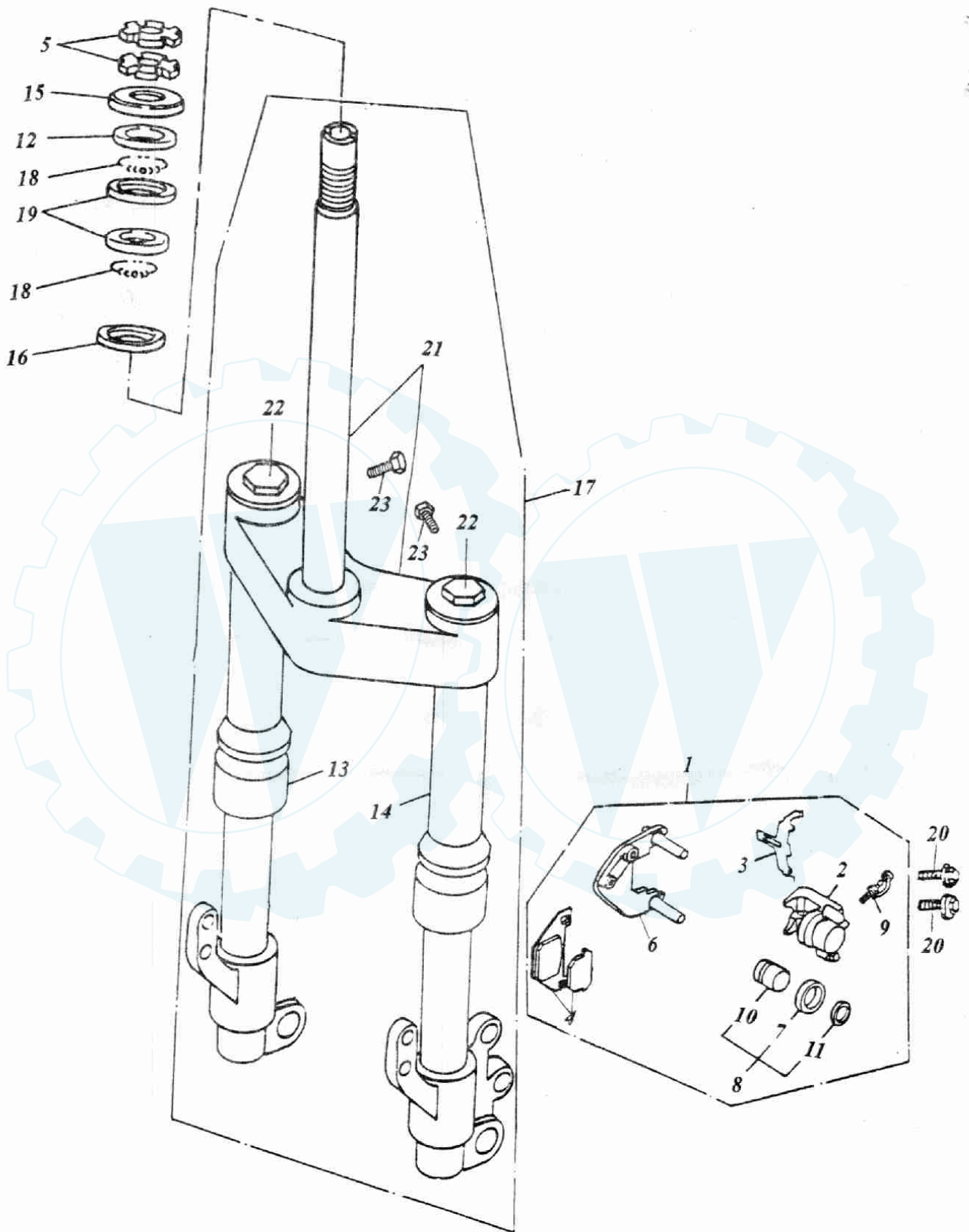
ERING

TB 125
Art. Nr.: 99336

Vordergabel mit Bremse



Blatt 1 von 2



ERING

TB 125
Art. Nr.: 99336

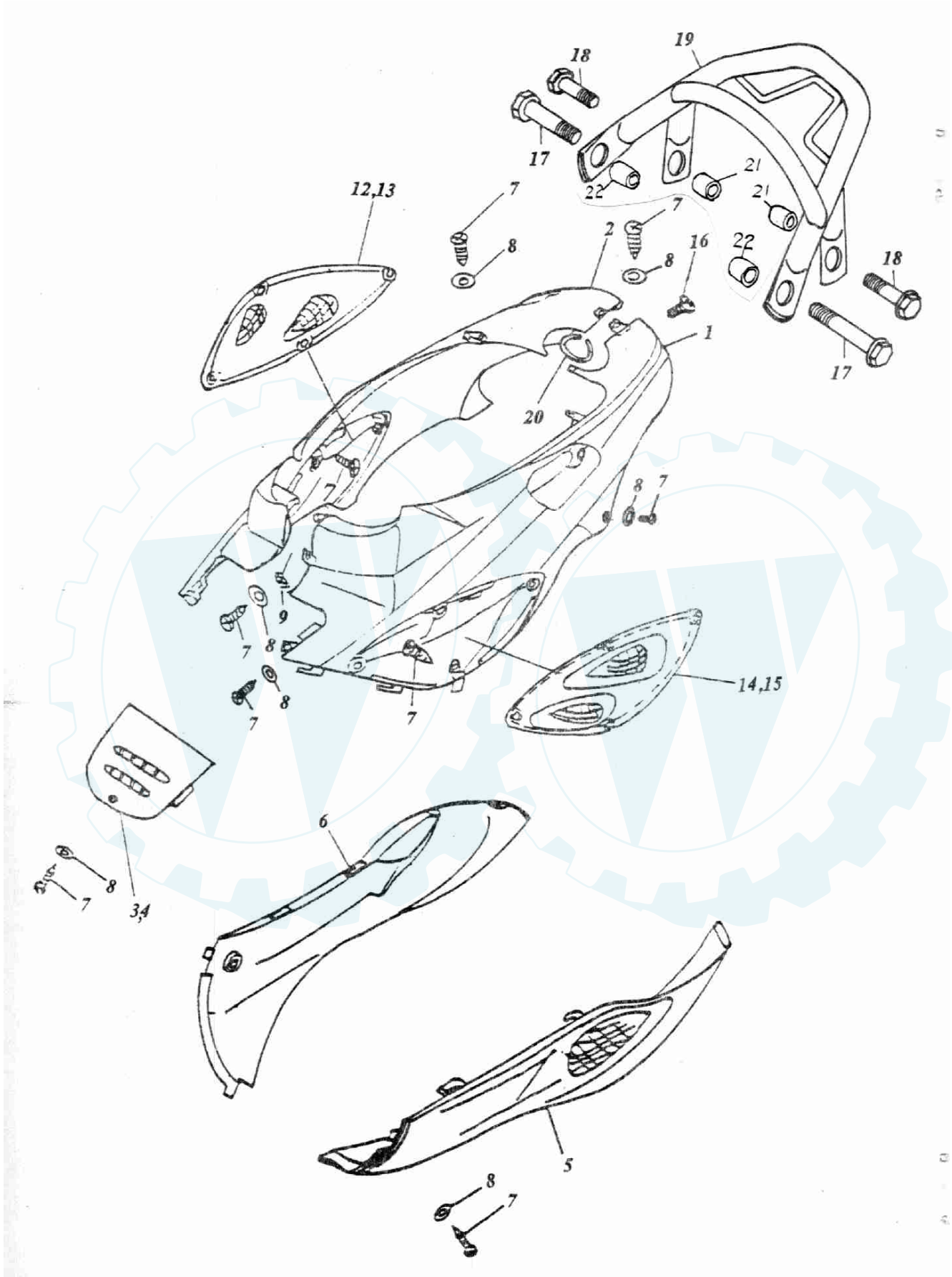
Vordergabel mit Bremse



Blatt 2 von 2

1	45000-127-000	1 FRONT BRAKE CALIPER ASS'Y
2	45010-119-000	1 BRAKE CALIPER
3	45025-119-000	1 SNUBBER SUPPORT
4	45120-119-000	1 SMALL BRAKE PAD
5	94071-25000	2 SPANER NUT
6	43001-125-000	1 BRACKET CALIPER (LEFT)
7	45042-125-000	1 CALIPER OIL SEAL
8	45040-119-000	1 CALIPER PISTON ASS'Y
9	45031-107-000	1 BREED SCREW KIT
10	45046-119-000	1 CALIPER PISTON
11	45041-125-000	1 CALIPER SEAL
12	53212-101-000	1 LATE CONE STRG TOP #2
13	53030-127-00B	1 RIGHT TUBE ASS, Y
14	53130-127-000	1 LEFT TUBE ASS, Y
15	50301-101-000	1 STEER ING STEM DUST COVER
16	53215-101-000	1 RACE, BALL #5
17	51100-127-00B	1 FRONT FORK ASS'Y
18	96211-101-000	2 STEEL BALL
19	53213-101-000	2 LATHE STRG INNER #3
20	96000-08034-12	2 HEX WASHER FACE BOLT
21	51109-125-000	1 STEERING STEM WITH BRACKET ASSY
22	90350-10000	2 NUT NYLON
23	92000-10036-14	2 HEX BOLT

ERING



ERING

TB 125

Art. Nr.: 99336

Verkleidung Heck

Blatt 2 von 2

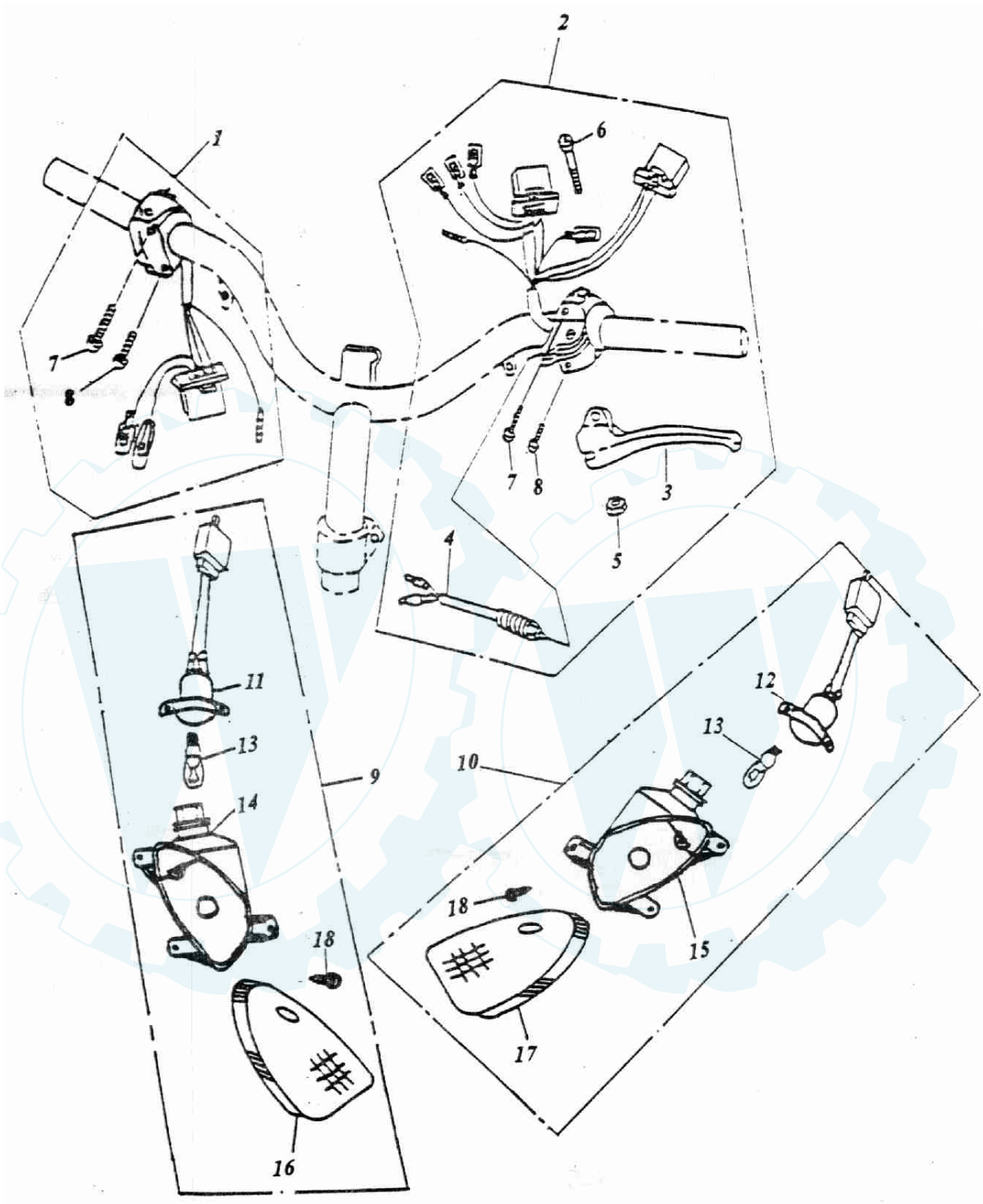
1	83600-127-000	1 LEFT BODY COVER
2	83500-125-000	1 RIGHT BODY COVER
3	31506-125-000	1 BODY CENTER COVER
4	31506-125-00B	1 BODY CENTER COVER
5	83603-125-000	1 LEFT SIDE COVER
6	83503-125-000	1 RIGHT SIDE COVER
7	93903-05016	19 TAPPING SCREW TRUSS HEAD PHILLPS
8	94101-0514010	9 PLAIN WASHER
9	90344-04000	4 U PLATE NUT
10	87700-125-000	1 STICKER ASS'Y (STANDERD)
11	87700-125-00A	1 STICKET ASSS'Y (OCAL)
12	83504-125-000	1 BODY COVER TRIM RN
13	83504-125-00B	1 R.BODY COVER TRIM(CARBON)
14	83604-125-000	1 BODY COVER TRIM LH
15	83604-125-00B	1 L.BODY COVER TRIM(CARBON)
16	93800-06020	2 PAN PHILPS BOLT
17	96000-08065-12	2 HEX WASHER FACE BOLT
18	96000-08048-12	2 HEX WASHER FACE BOLT
19	81200-125-000	1 LUGGAGE CARRIER SET
20	17632-125-000	1 FUEL TANK SEAL
21	81201-125-000	2 SPACE TUBE
22	81202-125-000	2 SPACE TUBE

TB 125
Art. Nr.: 99336

Blinker und Bremshebel



Blatt 1 von 2



ERING

TB 125
Art. Nr.: 99336

Blinker und Bremshebel



Blatt 2 von 2

1	35150-120-000	1 R.HANDLE SWITCH ASS'Y
2	35200-130-000	1 L.HANDLE SWITCH ASS'Y
3	53178-125-000	1 LEFT SIDE LEVER
4	35345-111-000	1 L.BRAKE SWITCH WIRE
5	90350-05000	1 NYLON INSERT LOCK NUT
6	90116-107-000	1 LEFT LEVER SET BOLT
7	93500-05035	2 PAN PHILLIPS BOLT
8	93500-05025	2 PAN PHILLIPS BOLT
9	33400-125-000	1 R.SIGNAL ASS'Y (E-MARK)
10	33450-125-000	1 L.SIGNAL ASS'Y(E-MARK)
11	33425-125-000	1 R.SIGNAL BULB SOCKET
12	33435-125-000	1 L.SIGNAL BULB SOCKET
13	34905-118-000	2 BULB (E-MARK)
14	33401-125-000	1 R.SIGNAL SOCKET
15	33451-125-000	1 L.SIGNAL SOCKET
16	33402-125-000	1 R.SIGNAL SOVER (E-MARK)
17	33452-125-000	1 L.SIGNAL COVER (E-MARK)
18	93903-03016	6 TAPPING SCREW TRUSS HEAD PHILLPS

ERING



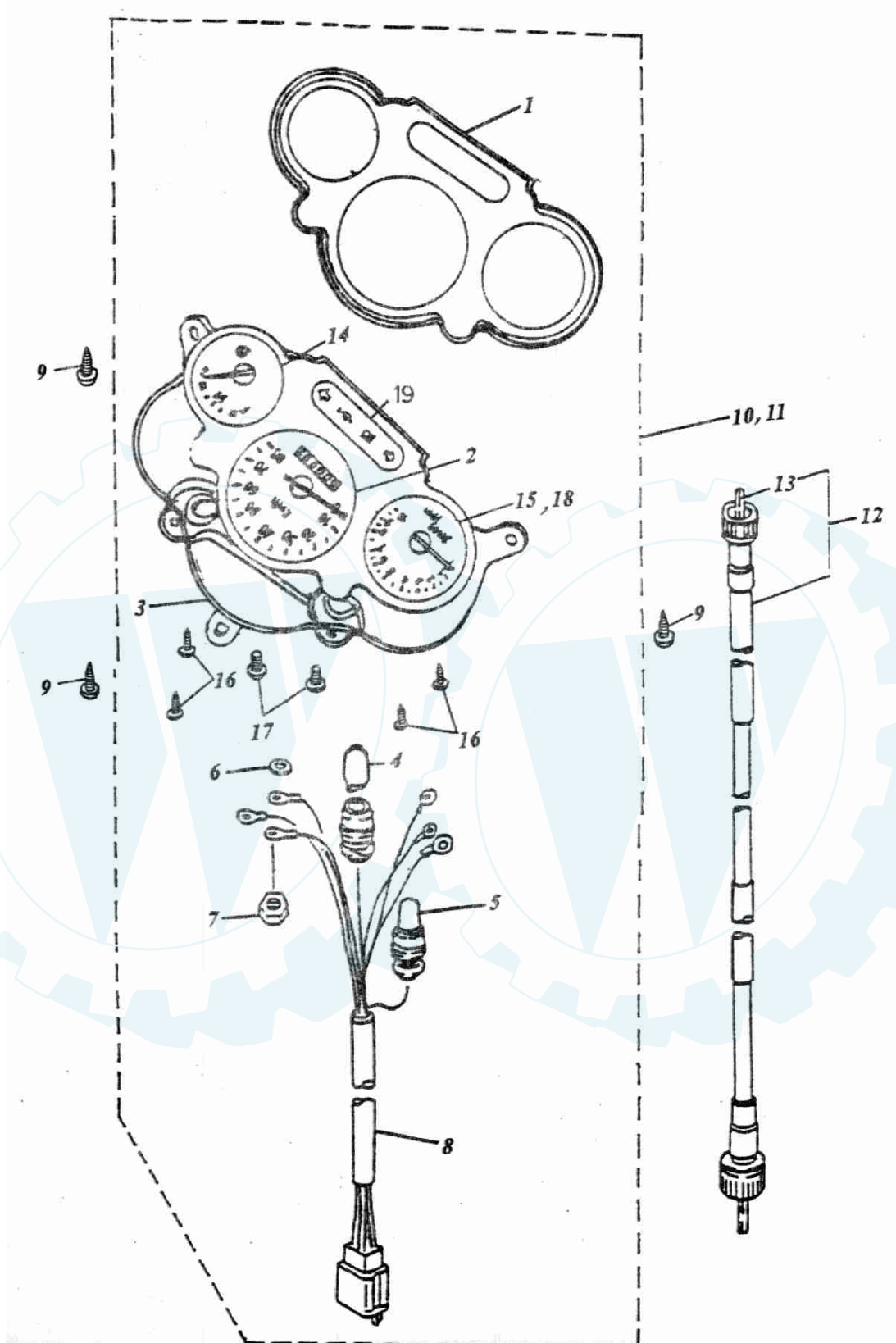
ERING

TB 125
Art. Nr.: 99336

Blinker und Bremshebel



Blatt 1 von 2



ERING

TB 125

Art. Nr.: 99336

Blinker und Bremshebel



Blatt 2 von 2

1	37230-125-000	1	SPEEDOMETER GLASS
2	37220-126-000	1	SPEEDOMETER BODY
3	37210-125-000	1	SPEEDOMETER CASE
4	34908-125-000	4	METER BULB
5	34908-101-00A	2	METER BULB
6	94101-0306006	6	PLAIN WASHER
7	94001-03000	6	HEX NUT
8	37250-127-000	1	SPEEDOMETER WIRE HARNESS
9	93903-05016	3	TAPPING SCREW TRUSS HEAD PHILLIPS
10	37200-127-000	1	SPEEDOMETER ASS'Y (KPH/MPH)
11	37200-127-00A	1	SPEEDOMETER ASS'Y (KPH/MPH EXCLUDE R.P.M)
12	44830-125-000	1	SPEEDOMETER CABLE
13	44840-125-000	1	SPEEDOMETER INNER CABLE
14	37222-125-000	1	OIL METER
15	37223-125-000	1	R.P.M METER
16	93903-04012	4	TAPPING SCREW TRUSS HEAD PHILLIPS
17	93000-04008	2	ROUND PHILLIPS BOLT
18	37224-125-000	1	MARK PLATE (NO R.P.M METER)
19	37225-127-000	1	INDICATOR PLATE

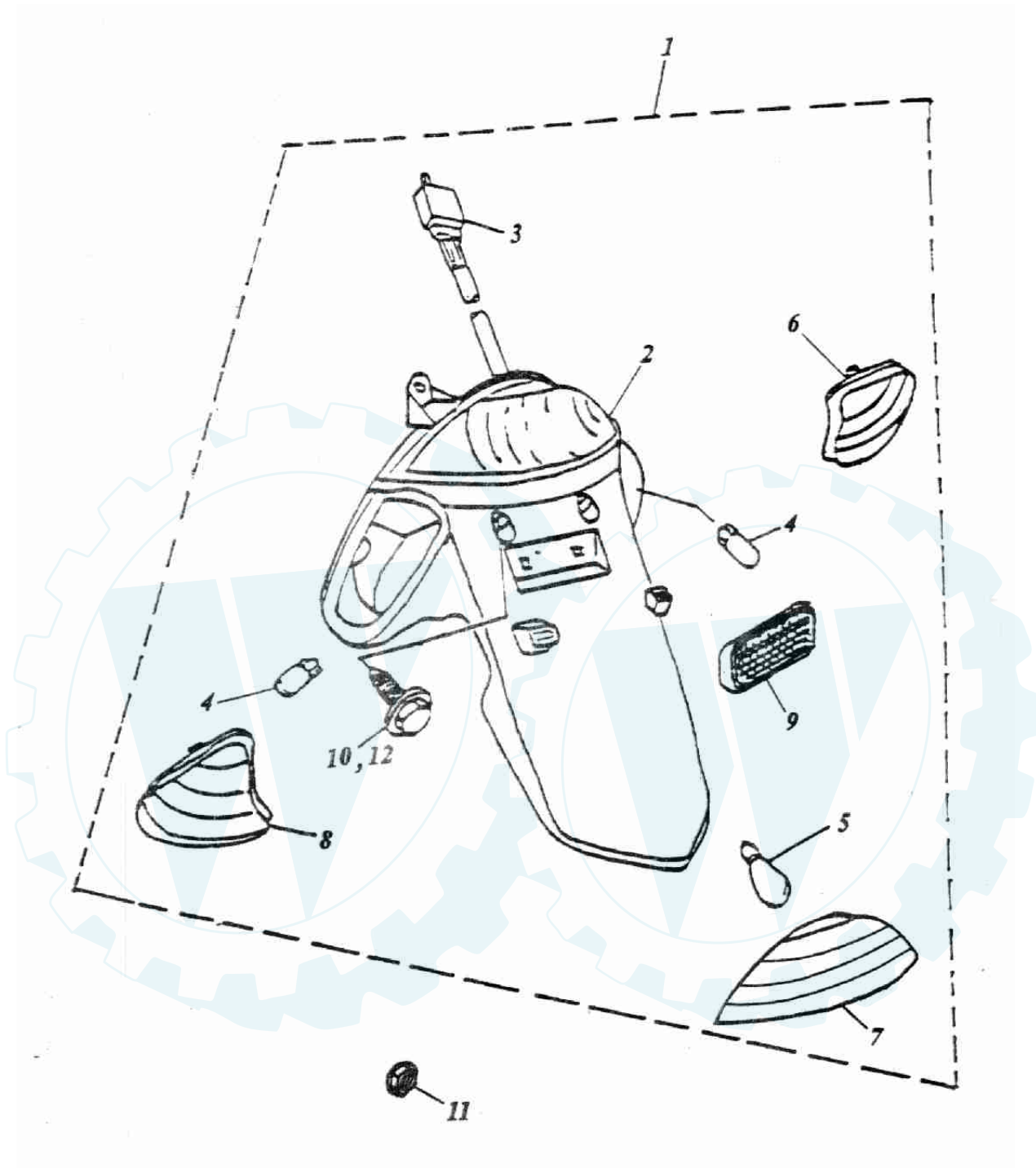
ERING

TB 125
Art. Nr.: 99336

Rücklicht



Blatt 1 von 2



ERING

TB 125
Art. Nr.: 99336

Rücklicht



Blatt 2 von 2

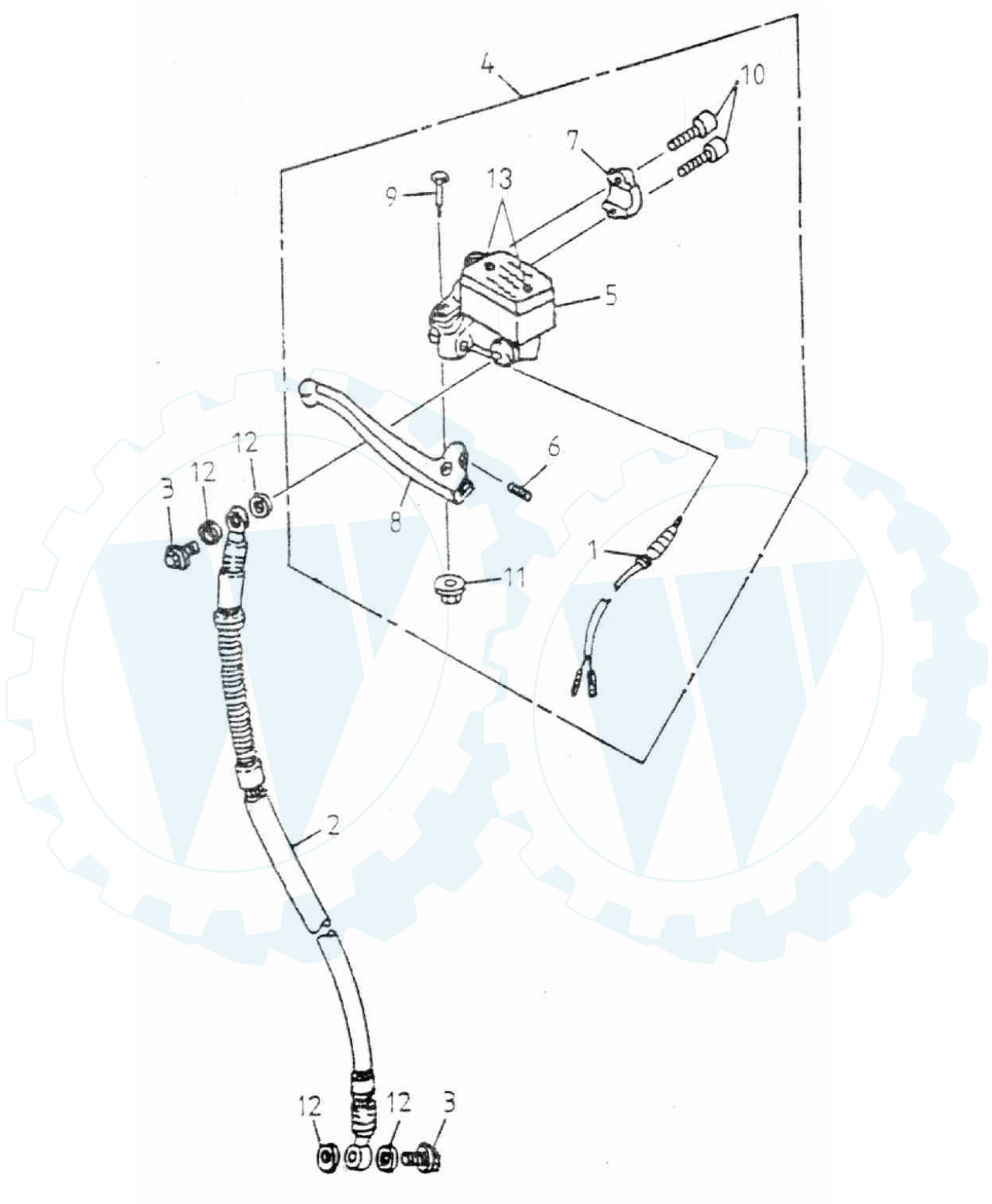
1	33700-125-000	1 TAIL LIGHT ASS'Y (E-MARK)
2	33711-125-000	1 REAR LIGHT SOCKET
3	33712-125-000	1 WIRENESS REAR LIGHT
4	34905-118-000	2 BULB (E-MARK)
5	34906-125-000	1 TAIL LIGHT BULB (E-MARK)
6	33730-105-00A	1 REAR RIGHT SIGNAL LENS (E-MARK)
7	33702-125-000	1 TAIL LIGHT LENS (E-MARK)
8	33735-125-000	1 REAR LEFT SIGNAL LENS (E-MARK)
9	33741-125-000	1 REFLECTOR (E-MARK)
10	92000-06018-10	2 HEX BOLT
11	94050-06000	2 HEX FLANGE NUT WITH SERRATION
12	92000-06018-10	4 HEX BOLT

ERING

TB 125
Art. Nr.: 99336

Bremszylinder

ERING
Blatt 1 von 2



ERING

TB 125
Art. Nr.: 99336

Bremszylinder



Blatt 2 von 2

1	35340-107-000	1	R. BRAKE SWITCH WIRE
2	45450-111-000	1	BRAKE HOSE
3	45456-107-000	2	BRAKE HOSE SET BOLT
4	45500-125-000	1	MASTER CYLINDER SUB ASS'Y
5	45510-125-000	1	MASTER CYLINDER SUB
6	45515-125-000	1	LEVER RESET SPRING
7	53174-107-000	1	MASTER CYLINDER BRACKET
8	53175-125-000	1	RIGHT LEVER
9	90115-107-000	1	RIGHT LEVER SET BOLT
10	91000-06025	2	HEX SOCKET BOLT
11	94050-06000	1	HEX FLANGE NUT WITH SERRATION
12	94101-1014510	4	COPPER PLAIN WASHER
13	45465-107-000	2	FLAT HEAD SCREW

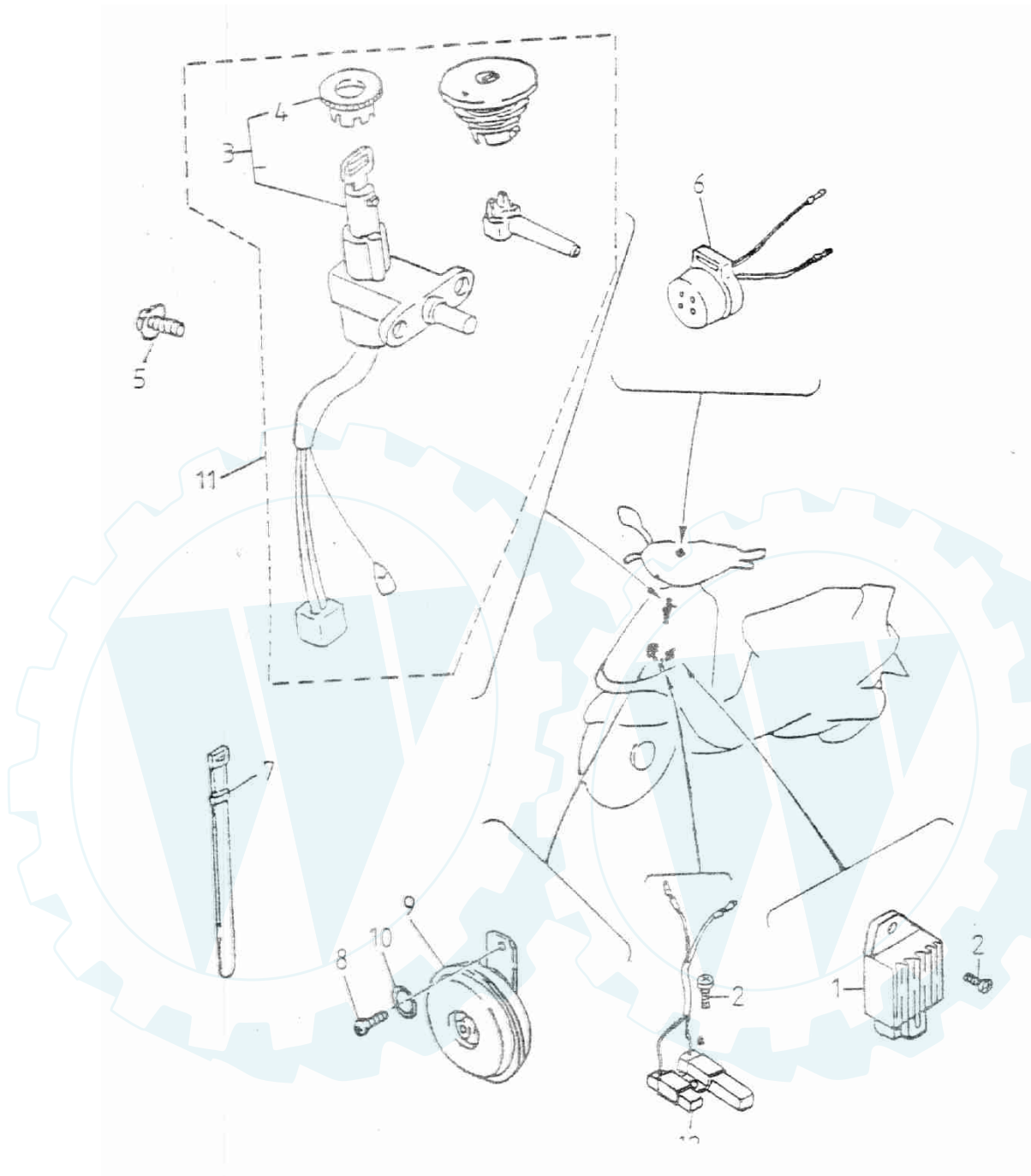
ERING

TB 125
Art. Nr.: 99336

Elektrische Anlage



Blatt 1 von 2



ERING

TB 125
Art. Nr.: 99336

Elektrische Anlage



Blatt 2 von 2

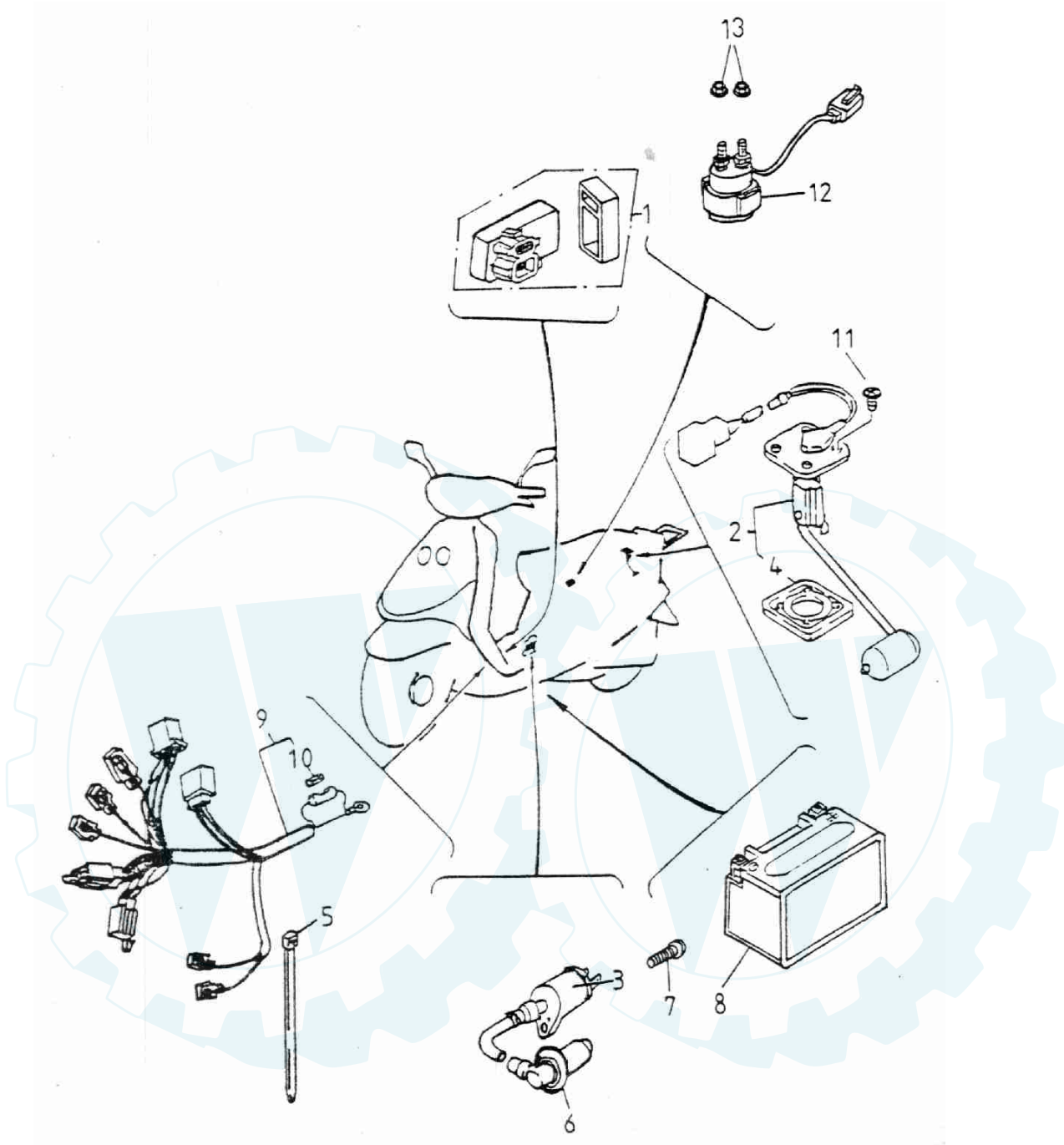
1	31600-120-000	1	REGULATOR RECTIFIER
2	93500-05015	2	PAN PHILLIPS BOLT
3	35100-125-000	1	MAIN SWITCH ASS'Y
4	35111-118-000	1	SWITCH CAP
5	92000-06018-10	2	HEX BOLT
6	38301-107-000	1	FLASHER RELAY
7	90669-101-00A	1	RUBBER STRAP
8	93500-06012	1	PAN PHILLIPS BOLT
9	38110-101-001	1	HORN (E-MARK)
10	94111-0612015	1	SPRING WASHER
11	35010-125-000	1	KEY SET
12	35400-120-000	1	RESISTOR COMP

ERING

TB 125
Art. Nr.: 99336

Zündanlage

ERING
Blatt 1 von 2



ERING

TB 125
Art. Nr.: 99336

Zündanlage



Blatt 2 von 2

1	30410-120-000	1 C.D.I UNIT C.D.I
2	37800-125-000	1 PETROL GAUGE ASS'Y
3	30510-120-000	1 HIGH TENSION COIL
4	37801-101-000	1 OIL LEVER GAUGE GASKET
5	90669-101-000	4 RUBBER STRAP
6	30700-120-000	1 HIGH TENSION SEAL
7	93500-05025	1 PAN PHILLIPS BOLT
8	31500-120-000	1 BATTERY
9	32100-125-000	1 MAIN WIRE HARNESS
10	98200-106-000	1 FUSE
11	93000-05012	4 ROUND PHILLIPS BOLT
12	38501-120-000	1 STARTING RELAY
13	94050-06000	2 HEX FLANGE NUT WITH SERRATION

ERING